

Check valves type UZZB 06 are used to close hydraulic fluid flow in one direction and allow free flow in the opposite direction.

The valves are for subplate mounting and can be installed in systems in any positions together with a connection plate.

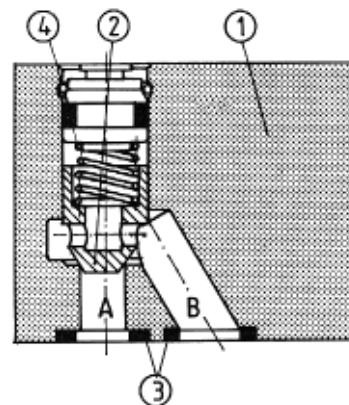
Sealing of interfaces is provided by O-rings which are included.



### DESCRIPTION OF OPERATION

In the check valve type UZZB 6 the closing element is a poppet 2 pushed on to the seat in the housing 1. Flowing through the valve in the direction A to B fluid lifts the poppet from its seat and permits free flow. Cracking pressure depends on initial spring tension.

In the opposite direction B to A the spring and the fluid push the poppet on to the seat and close the connection without leakage.

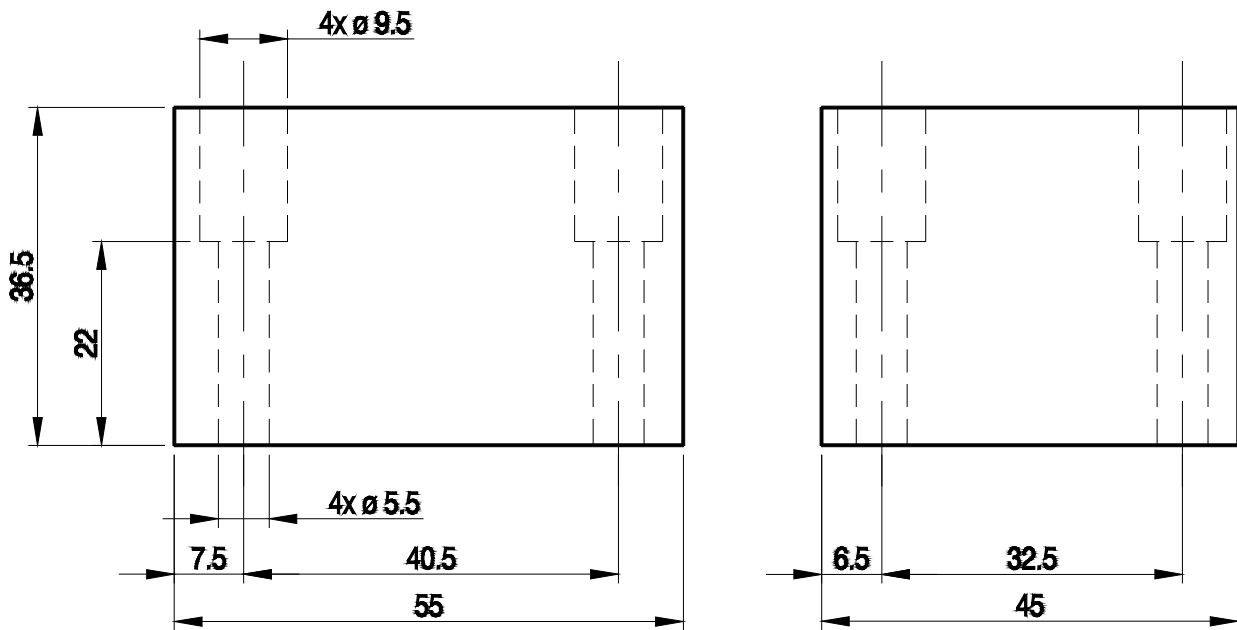


Item 3 - O-ring 9.2 × 1.8 - 2 pieces

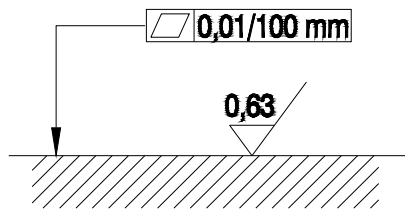
### TECHNICAL DATA

Hydraulic fluid	Mineral oil or phosphate ester
Nominal fluid viscosity	37 mm <sup>2</sup> /s at the temperature of 328 K
Viscosity range	2.8 to 380 mm <sup>2</sup> /s
Optimum working temperature ( fluid in a tank )	313 - 328 K
Fluid temperature range	243 - 343 K
Required fluid filtration	16 μm
Recommended fluid filtration	10 μm
Maximum working pressure	31.5 MPa
Cracking pressure	0.05; 0.1; 0.15 MPa
Weight	0.5 kg

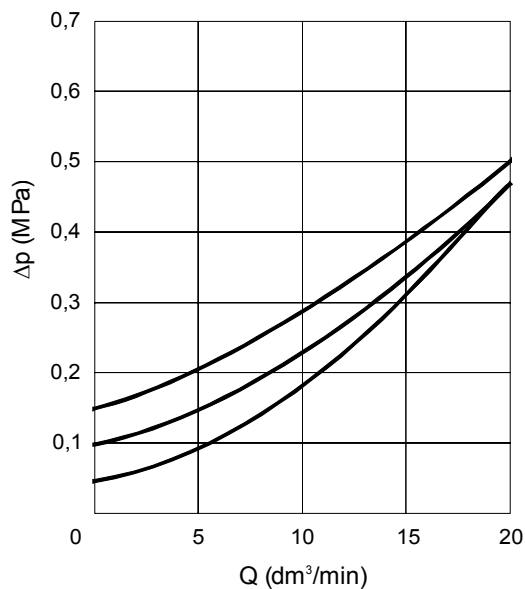
## OVERALL DIMENSIONS



Admissible surface roughness and flatness deviation for a subplate face.



## PERFORMANCE CURVES, measured at $\nu = 41 \text{ mm}^2/\text{s}$ and $T = 323 \text{ K}$



## SCHEME



Graphical symbol

## HOW TO ORDER

Orders coded in the way showed below should be forwarded to the manufacturer.

**UZZB 06** - / - \*

### Series number :

20 = 20  
(20-29) - installation and connection dimensions unchanged

Additional requirements in clear text  
( to be agreed with the manufacturer )

### Cracking pressure

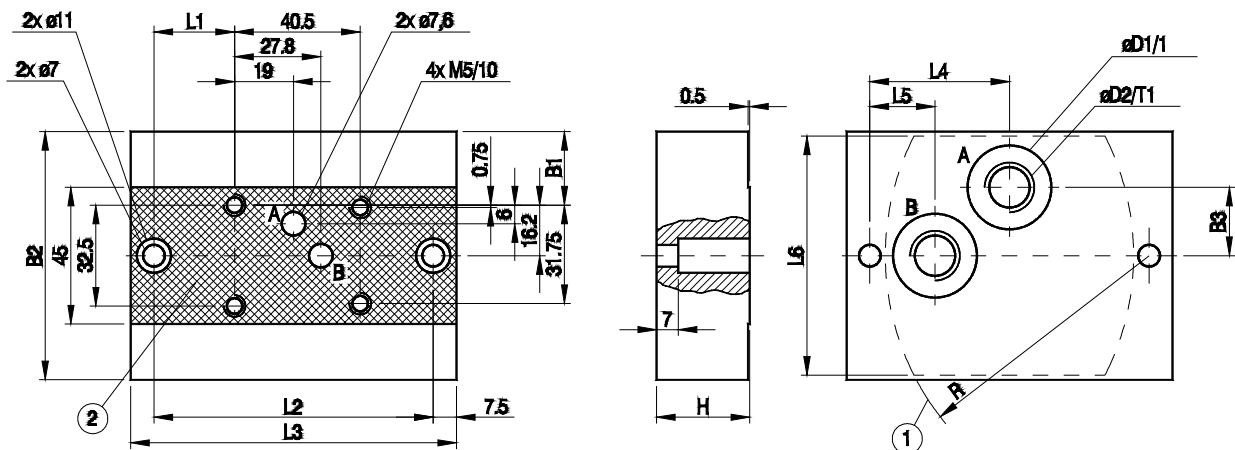
Without spring = 00  
Cracking pressure 0.05 MPa = 05  
Cracking pressure 0.10 MPa = 10  
Cracking pressure 0.15 MPa = 15

### Sealing

Fluids on mineral oil base = no designation  
Fluids on phosphate ester base = V

Coding example : UZZB 06 - 20/10

## CONNECTION DIMENSIONS FOR A SUBPLATE



1 - Recess in subplate face  
2 - Connection face

Type	D1	D2	L1	L2	L3	L4	L5	L6	B1	B2	B3	R	H1	T1
G341/ 01/ s	22	G 1/ 4	21	80	95	40	25	56	12,7	58	17	70	25	13
G342/ 01/ s	28	G 3/ 8	26	90	105	45	21	77	23,7	80	22	85	30	13
G341/ 02/ s	22	M14 x 1,5	21	80	95	40	25	56	12,7	58	17	70	25	15
G342/ 02/ s	27	M16 x 1,5	26	90	105	45	21	77	23,7	80	22	85	30	16

Fitting of the valve to the subplate by means of the bolts M5 × 30 - 10.9 PN-74/M-82302 ( DIN 912 ) with torque Md = 47 Nm  
The fixing bolts and subplate must be ordered separately.

PONAR WADOWICE S.A.  
ul. Wojska Polskiego 29  
34-100 Wadowice  
tel. 033/ 823 39 43, 823 30 41  
fax 033/ 873 48 80  
e-mail: ponar@ponar-wadowice.pl

