

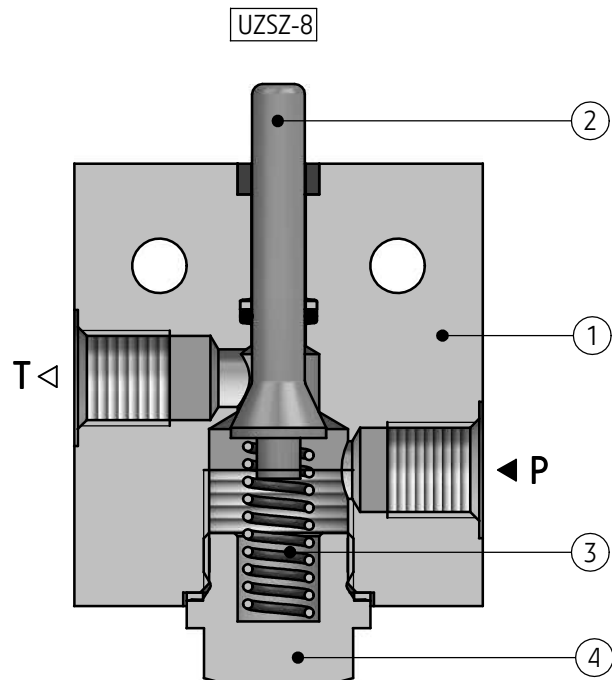
APPLICATION

Unloading valve type **UZSZ - 8** is used to unload the pressure by force in port **P**, mechanically operated in hydraulic system. The valve is intended for base-plate mounting with threaded connection for hydraulic hoses.



DESCRIPTION OF OPERATION

Unloading valve type **UZSZ - 8** is composed of the housing (1), spool (2), spring (3) and plug (4). The fluid flows from port **P** to **T** in the result of pushing the spool end (2) over the housing surface (1). The fluid is blocked automatically by means of the spring (3) when the spool end (2) is released.

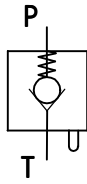


TECHNICAL DATA

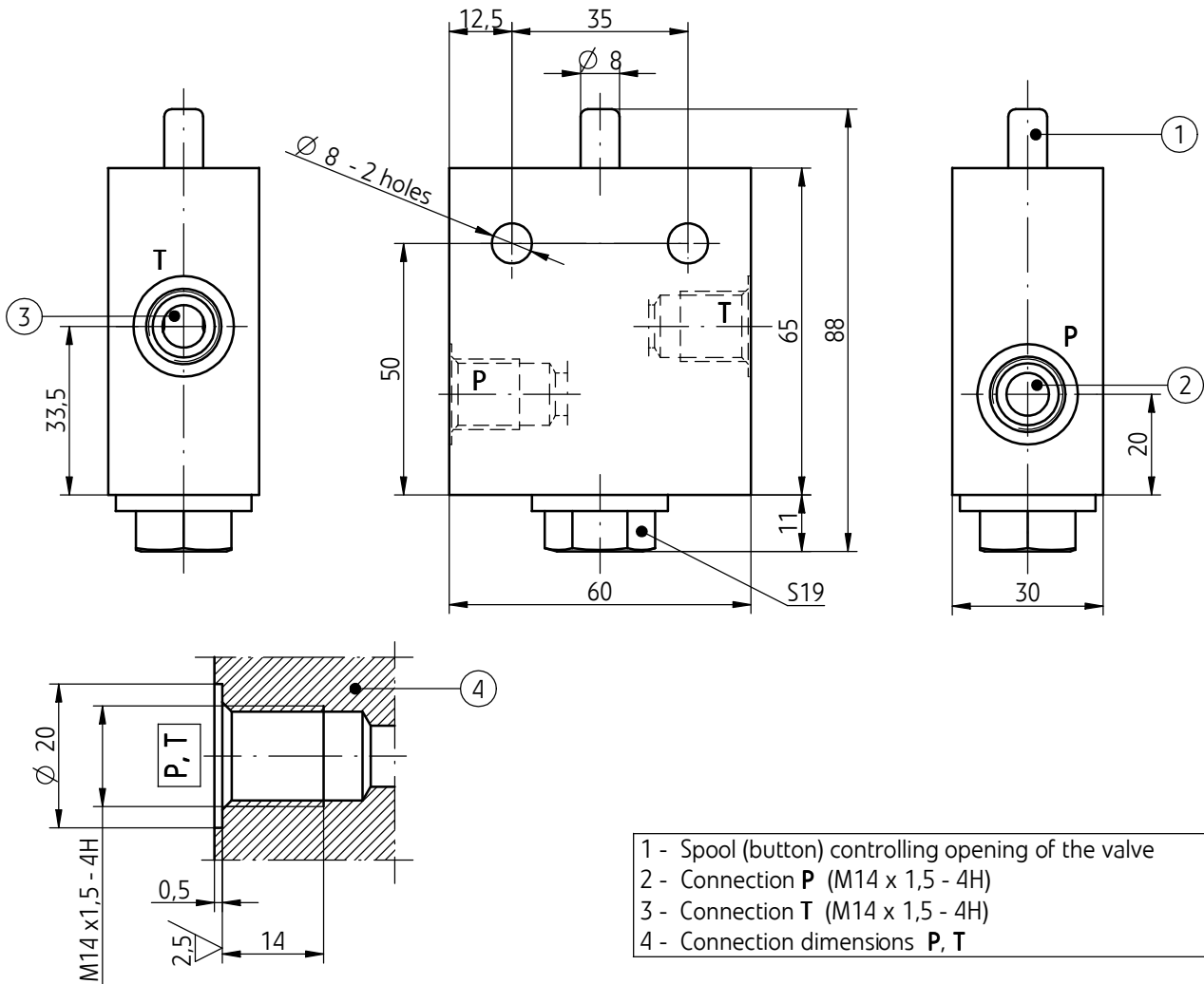
Hydraulic fluid	mineral oil	
Required filtration	up to 16 μm	
Recommended filtration	up to 10 μm	
Nominal fluid viscosity	37 mm ² /s at temperature 55 °C	
Viscosity range	2,8 up to 380 mm ² /s	
Fluid temperature range (in a tank)	recommended	40 °C up to 55 °C
	max	-20 °C up to +70 °C
Ambient temperature range	- 20 °C up to +70 °C	
Maximum operating pressure	30 MPa	
Nominal flow	60 dm³/min	

SCHEMES

Graphic symbol of the valve type **UZSZ - 8**



OVERALL AND CONNECTION DIMENSIONS



HOW TO ORDER

The valve should be ordered according to the designation and type – coding example:
unloading valve type UZSZ - 8.

PONAR Wadowice S.A.
ul. Wojska Polskiego 29
34-100 Wadowice
tel. +48 33 488 29 00
fax. +48 33 488 21 03
www.ponar-wadowice.pl

PONAR[®]
wadowice