

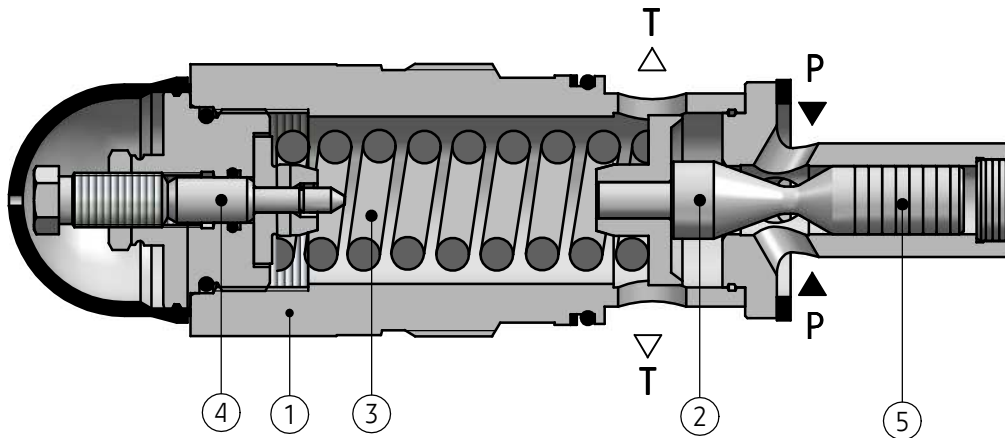
APPLICATION

Pressure relief valves are designed to limit maximum pressure in the entire hydraulic system or in its part. Depending on the type of mounting in the system, direct operated pressure relief valves type UZPD... can be screwed (cartridge version), mounted into threaded connections (version for threaded connection) or mounted to subplate (version for subplate mounting).



DESCRIPTION OF OPERATION

UZPD30 - 02 S K/200



Direct operated pressure relief valve type mainly consists of body (1), poppet (2), spring (3), set screw (4). Movable poppet (2) is a working element. Cracking pressure setting is made by variation of spring tension (3) by means of set screw (4). Various

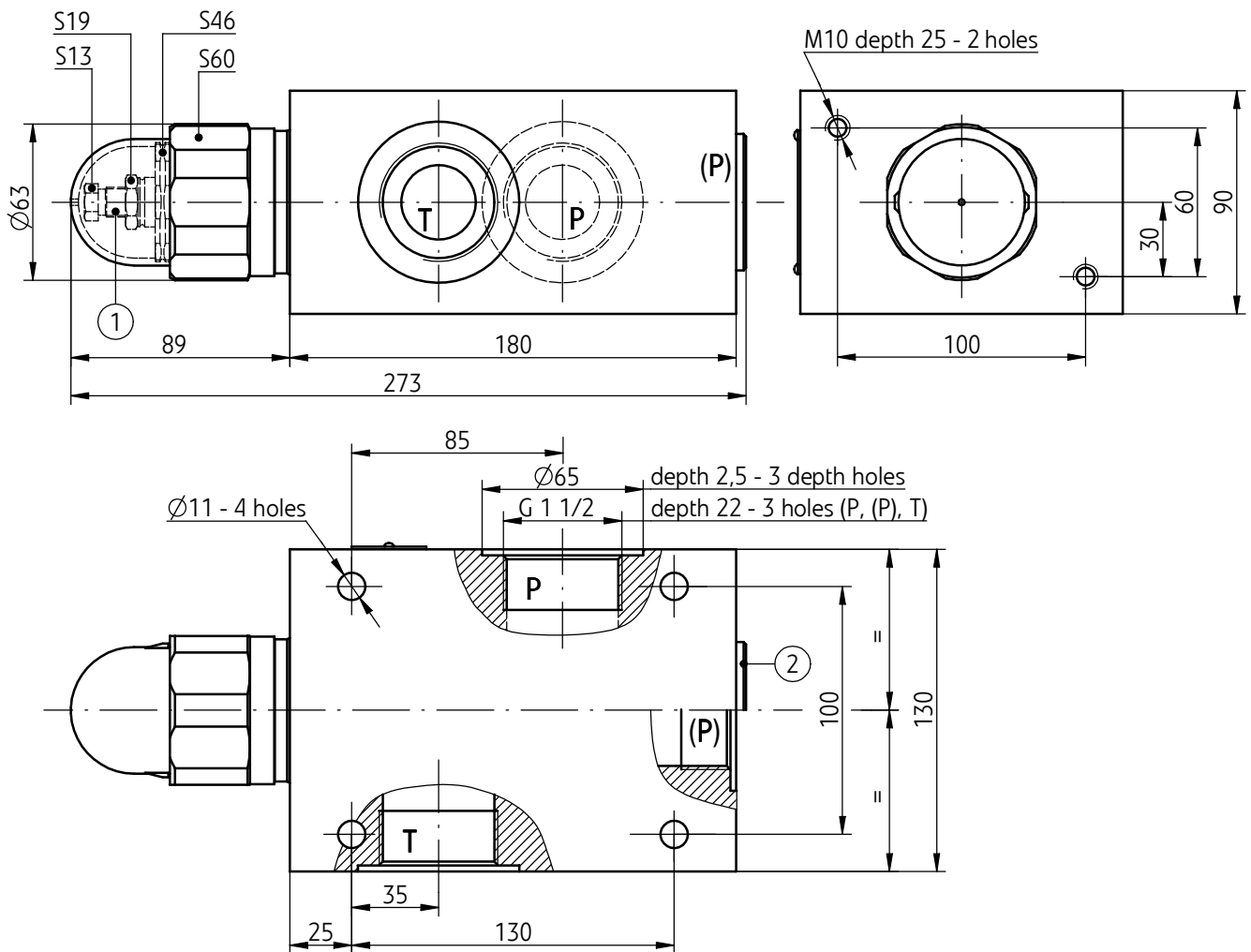
springs (2) (exchangeable) correspond to various ranges of cracking pressure adjustment. A dumping element (5) is used to eliminate vibrations of the valve.

TECHNICAL DATA

Hydraulic fluid	mineral oil		
Required filtration	up to 16 μm		
Recommended filtration	up to 10 μm		
Nominal fluid viscosity	37 mm^2/s at temperature 55 °C		
Viscosity range	2,8 up to 380 mm^2/s		
Fluid temperature range (in a tank)	recommended	40 °C up to 55 °C	
	max	-20 °C up to +70 °C	
Ambient temperature range	- 20 °C up to +70 °C		
Maximum operating pressure	31,5 MPa		
Maximum pressure in T port	31,5 MPa		
Weight	cartridge design	for threaded connection	for subplate mounting
	2,2 kg	13,9 kg	13,9 kg

OVERALL AND CONNECTION DIMENSIONS

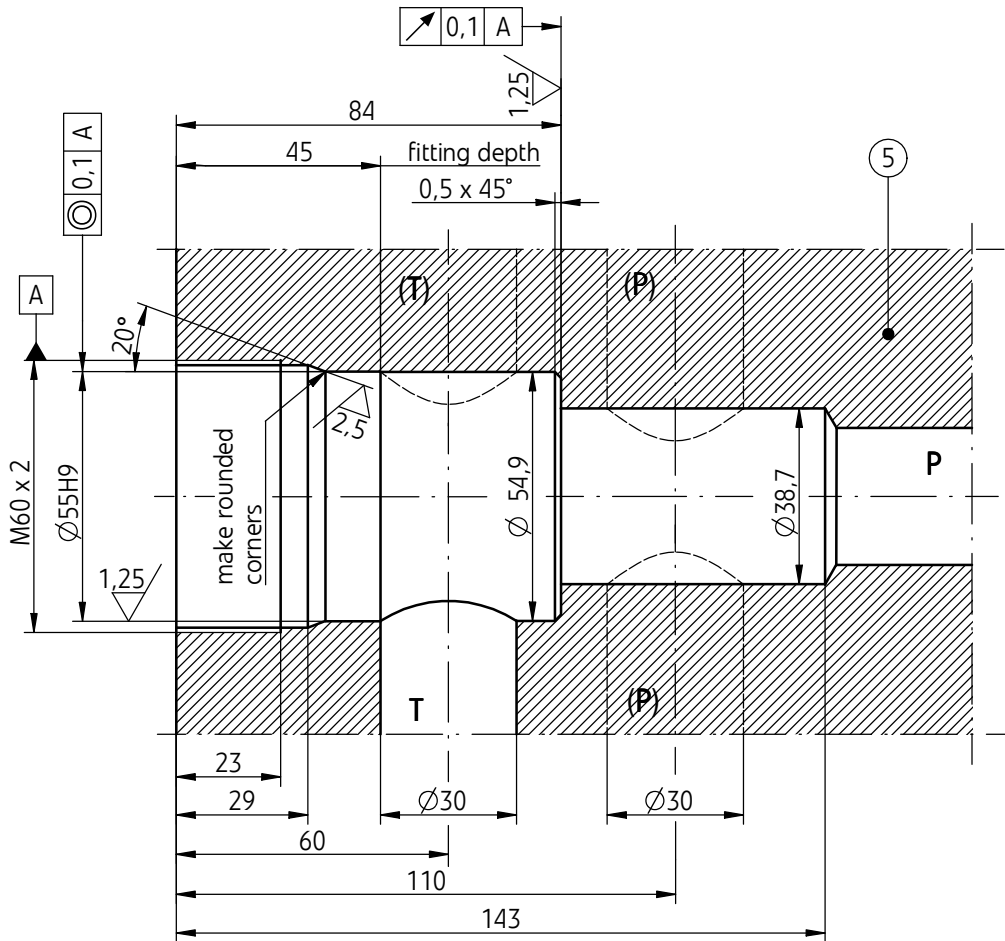
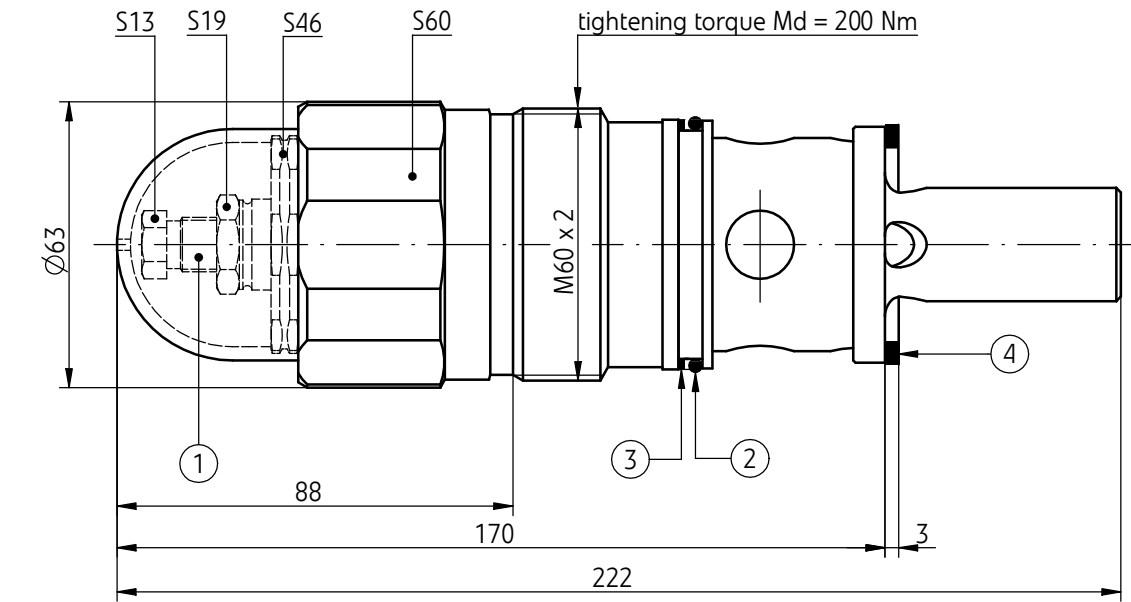
version for threaded connection UZPD30...G...



1 - Set screw
2 - Plug G 1 1/2 (additional connection P)

OVERALL AND CONNECTION DIMENSIONS

version for cartridge mounting UZPD30...K...

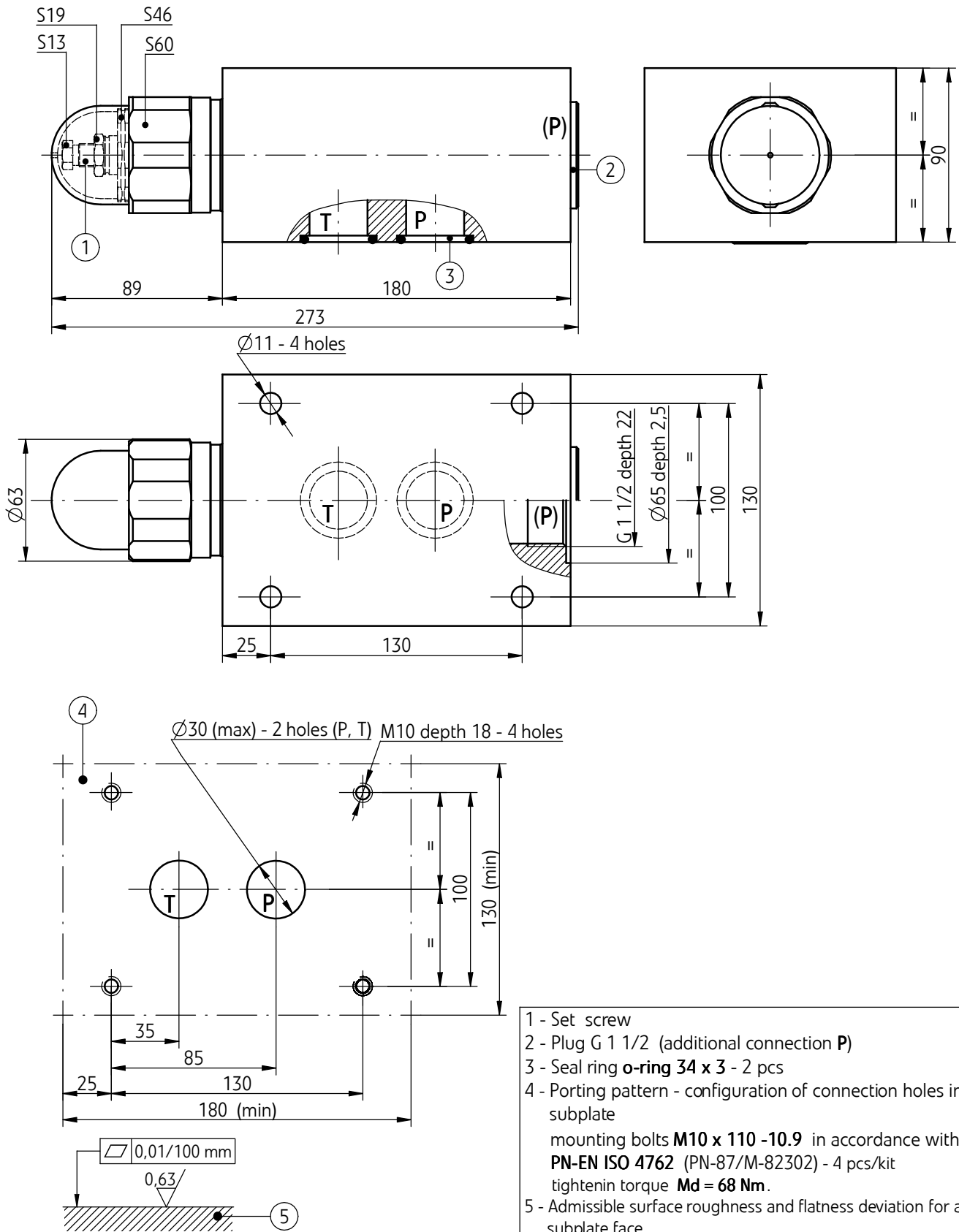


- | | |
|----------------------------------|--------|
| 1 - Set screw | |
| 2 - Seal o-ring 49 x 3 | - 1 pc |
| 3 - Back up ring 55 x 50,4 x 1,4 | - 1 pc |
| 4 - Seal ring 53 x 42,7 x 3 | - 1 pc |
| 5 - Valve cavity | |

OVERALL AND CONNECTION DIMENSIONS

version for subplate mounting UZPD30...P...

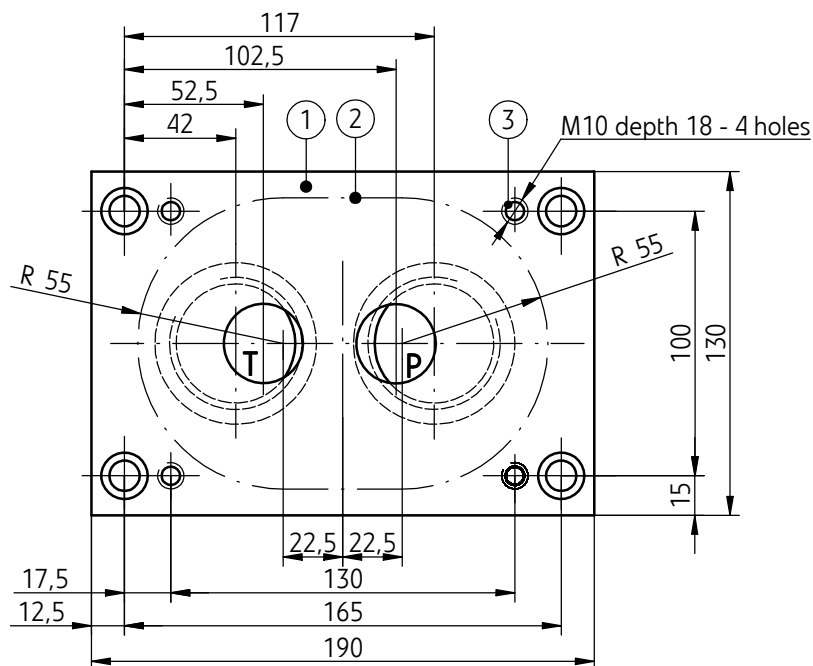
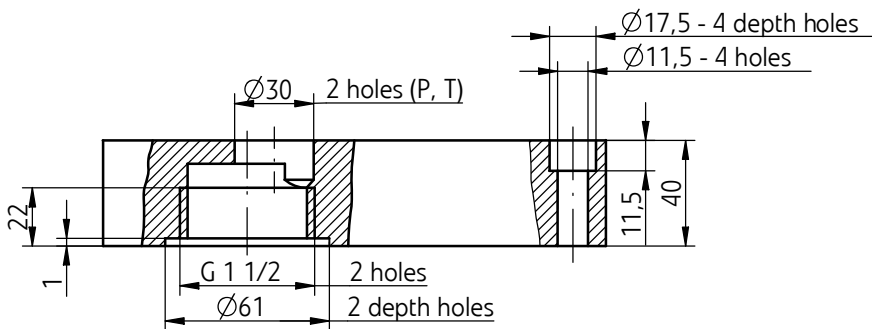
overall and connection dimensions for a valve



OVERALL AND CONNECTION DIMENSIONS

version for subplate mounting UZPD30...P...

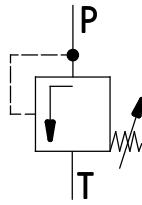
overall and connection dimensions for subplate
type G 499 944



- 1 - Mounting face of valve
- 2 - Recess in subplate for coupling fittings for threaded pipes
- 3 - Holes for bolts mounting the valve
mounting bolts **M10 x 110 -10.9** in accordance with **PN-EN ISO 4762** (PN-87/M-82302) - 4 pcs/kit
tightening torque **Md = 68 Nm**
subplates and mounting bolts must be ordered separately

SCHEMES

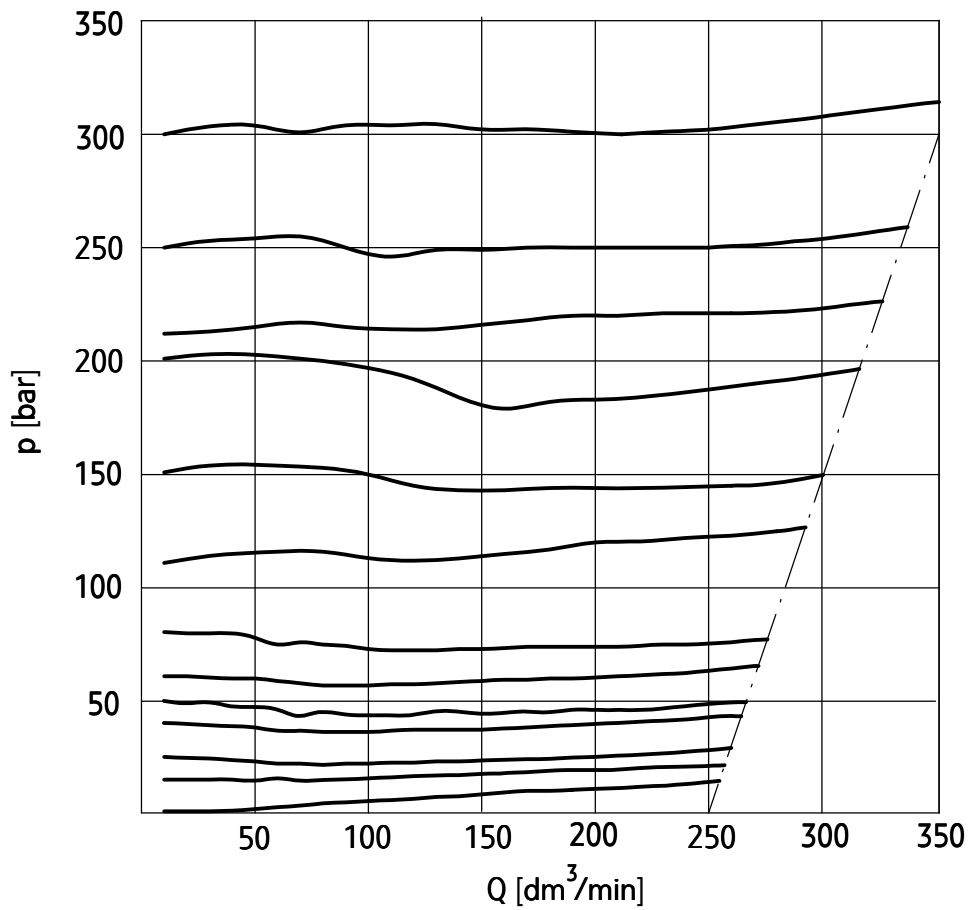
Graphical symbol of the valve type UZPD30...



PERFORMANCE CURVES

measured at viscosity $\nu = 41 \text{ mm}^2/\text{s}$ and temperature $t = 50^\circ\text{C}$

Characteristics for working pressure during flow



HOW TO ORDER

UZPD	30 +		/		*
-------------	-------------	--	---	--	---

Nominal size (NS)

NS30

= **30**

Series number

(00-09) - connection and installation dimensions unchanged = 0X

series 02

= **02**

Adjustment method

Hexagon socket set screw

= **S**

Type of connection

cartridge mounting

= **K**

for threaded connection

= G

for subplate mounting

= P

Pressure setting

up to 2,5 MPa

= **25**

up to 5 MPa

= **50**

up to 10 MPa

= **100**

up to 20 MPa

= **200**

up to 31,5 MPa

= **315**

Sealing

NBR (for fluids on mineral oil base)

= **no designation**

FPM (for fluids on phosphate ester base)

= V

Further requirements in clear text (to be agreed with the manufacturer)

NOTES:

The valve should be ordered according to the above coding.

The symbols in bold are preferred versions in short delivery time.

Coding example: UZPD30 - 02 S K /315

PONAR Wadowice S.A.
ul. Wojska Polskiego 29
34-100 Wadowice
tel. +48 33 488 29 00
fax.+48 33 488 21 03
www.ponar-wadowice.pl

