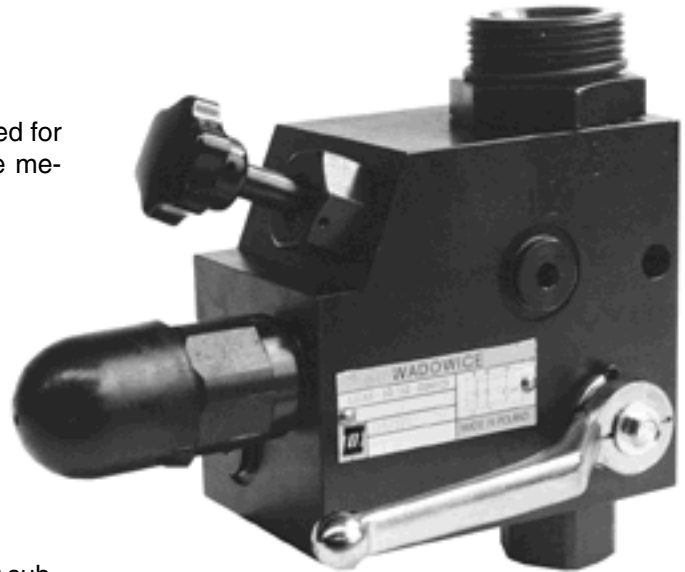


APPLICATION

Hydraulic accumulator protection and cut-off unit is used for connecting hydraulic accumulator to the system while meeting safety requirements.



DESIGN DESCRIPTION

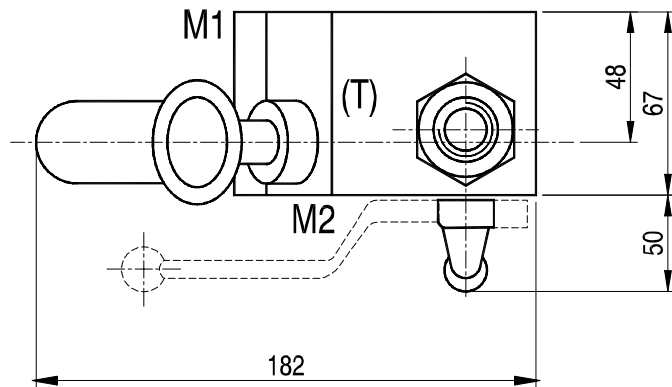
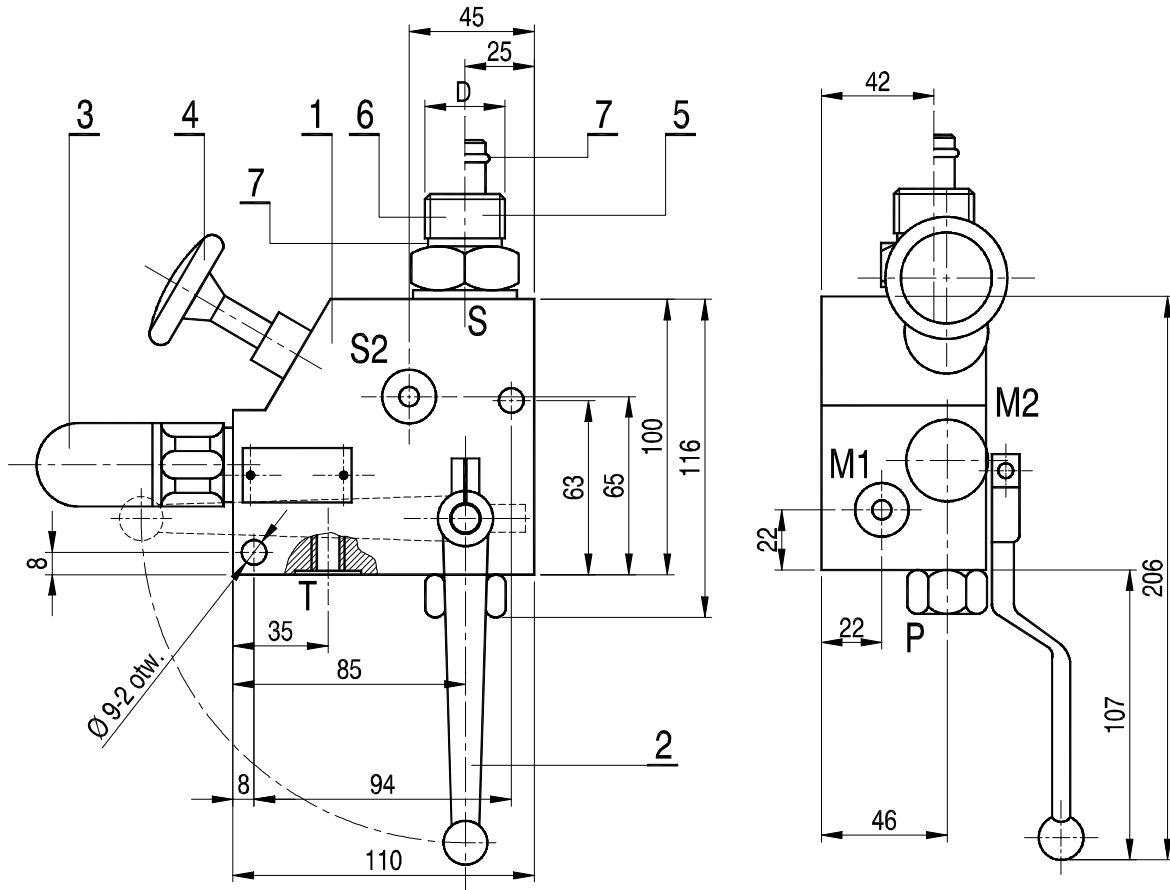
The unit consists of a housing incorporating the following sub-units:

- ball cut-off valve for connecting and disconnecting the accumulator with the hydraulic system
- manual relief valve for safe unloading of accumulator after cut-off
- safety valve for system protection - may be approved by UDT, with CE approval. If a unit with CE or UDT approval valve is ordered, it is set to required pressure and sealed.

TECHNAICAL DATA

Working fluid	Mineral oil
Optimum working temperature range	258 up to 343 K
Max working pressure	33 MPa
Housing construction material	Steel
Safety valve type	DBDS6K... wg WK 450 610
Required oil filtration	up to 16 μ m
Weight	5,2 kg

OVERALL AND MOUNTING DIMENSIONS

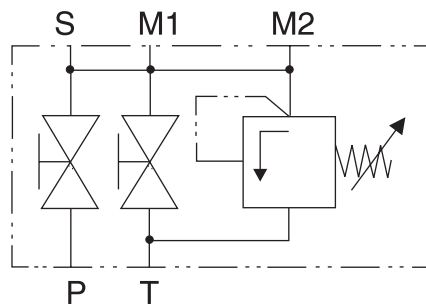


- 1- Unit
- 2- Accumulator cut-off valve
- 3- Safety valve
- 4- Manual relief valve
- 5- Accumulator connection Hydac (H)
- 6- Accumulator connection Eppensteiner (E)
- 7- Sealing ring

Connection dimensions:
 M1; M2 - G1 - pressure gauge connections
 P - $G^{1/2}$ - Pump connection
 T - $G^{3/8}$ - Tank connection
 S (D) - $G^{1/2}$; $G^{3/4}$; G1; G1 $1/4$; G2/ - accumulator connection

Port in the housing for connections 5 and 6:
 M33x2 acc. PN/M-73101

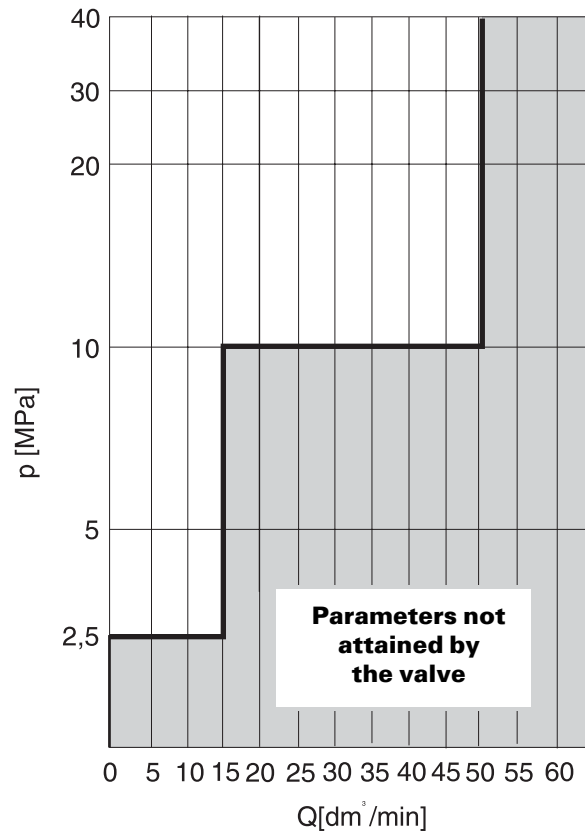
SYMBOL



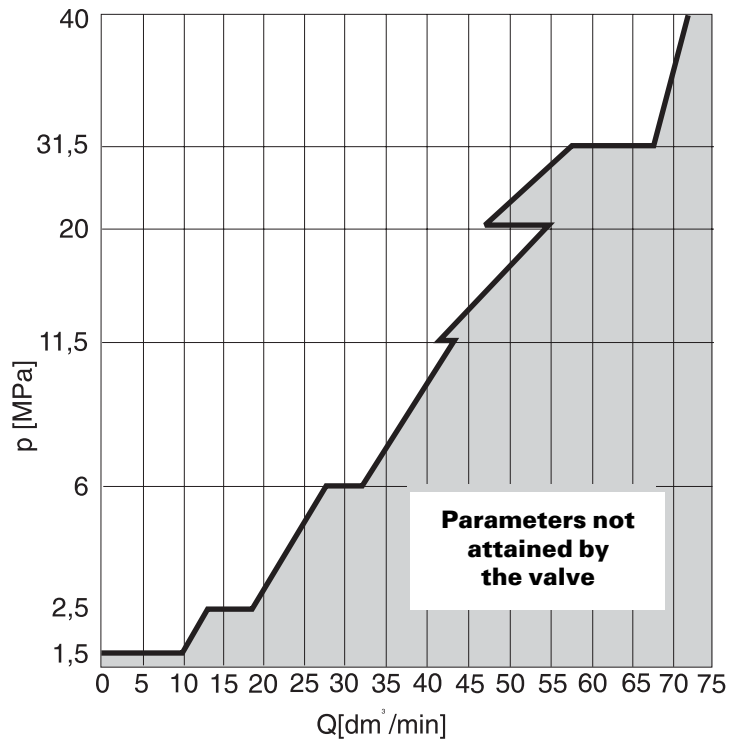
PERFORMANCE CURVES

DBDS6K safety valve flow lines

with CE approval
/DBDS6K 1X/...B/



UDT approval
/DBDS6K 1X/...JV/



HOW TO ORDER

Orders coded in the way showed below should be forwarded to the manufacturer.

UZAE 10 /					*
-----------	--	--	--	--	---

Series number 12 = 12 (10 - 19) - installation and connection dimensions remain unchanged

Safety valve approval: no approval = no designation with CE approval = C with UDT approval = JV
--

Safety valve setting up to 2,5 MPa 25 up to 5 MPa 50 up to 10 MPa 100 up to 20 MPa 200 up to 31,5 MPa 315 up to 33 MPa 330 For UDT or with CE approval, specify pressure setting (factory setting and sealing)
--

Accumulator connections For Eppensteiner accumulators G 1/2 thread = E1 G 3/4 thread = E2 G 1 1/4 thread = E3 G 2 thread = E4 For Hydac accumulators G 3/4 thread = H1 G1 thread = H2 G1 1/4 thread = H3

Further requirements in clear text (to be agreed upon with the manufacturer)

CODING EXAMPLE:
UZAE 10/12 C 330 H2

PONAR WADOWICE S.A.
 ul. Wojska Polskiego 29
 34-100 Wadowice
 tel. 033/ 823 39 43, 823 30 41
 fax 033/ 873 48 80
 e-mail: ponar@ponar-wadowice.pl

