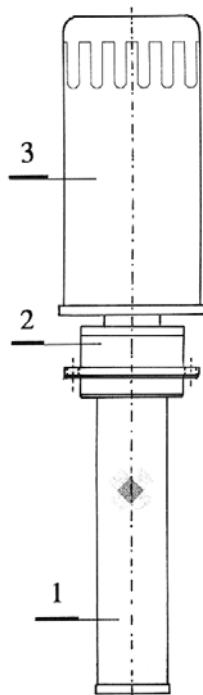


Oil filler/ air breather serves two functions :

- When filling the tank with fluid, the filter prevents large particles of contamination getting into the tank and the system,
- Within the working cycle the fluid level varies due to changes in the user's requirements. Air filter is used to fill up the tank with air (pressure equilibrium). The air flowing into the filter from environment is filtered.

DESIGN DESCRIPTION

Filler/breather UOFP consists of the oil oil filler type WW1 (1) (without filler plug), connector (2) and air filter type PD (3).



TECHNICAL DATA ON AIR FILTER

Oil filter type	PD 4.1	PD 4.2	PD 8.1	PD 12.2
Filtration surface area (m ²)	0.13	0.19	0.30	0.50
Filter pore size (μm)	10	10	10	15

TECHNICAL DATA ON OIL FILTER

Oil filter type	WW1 - 32S	WW1 - 50S
Nominal size (mm)	32	50
Filter pore size (μm)	100	100
Oil flow capacity at viscosity 37 mm ² /s and temperature 328 K (dm ³ /min)	10	15

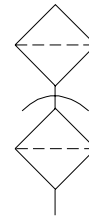
HOW TO ORDER

Orders coded as below should be forwarded to the manufacturer.

UOFP / 10 *

Nominal size		
32	= 32	
50	= 50	
Series number		
10	= 10	
Design model		
A	with air filter PD 4.1	} available only for size 32
B	with air filter PD 4.2	
C	with air filter PD 8.1	
D	with air filter PD 12.2	
Further requirements in clear text (to be agreed upon with the manufacturer)		

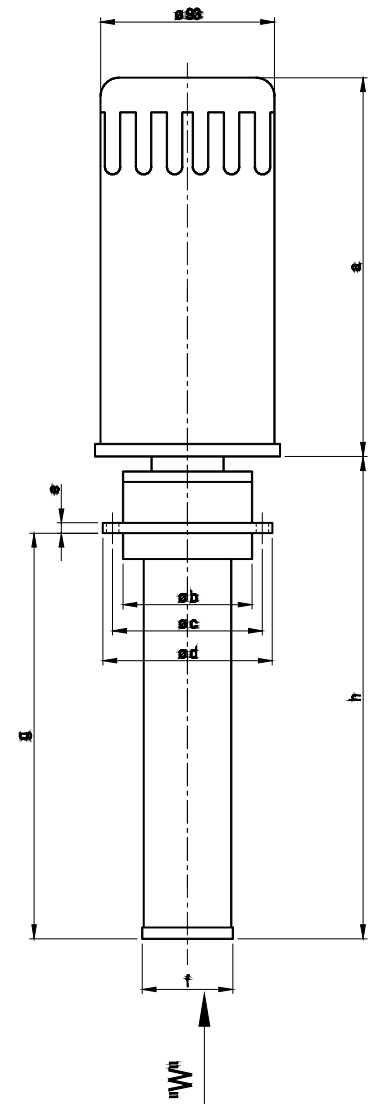
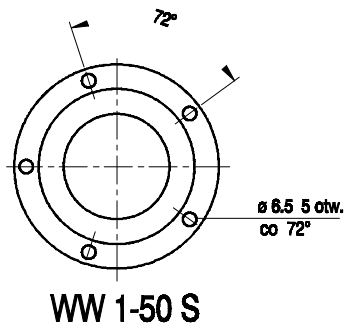
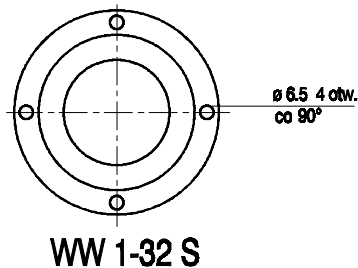
HYDRAULIC SCHEME



OVERALL DIMENSIONS

Dim. [mm]	Filter type	
	WW1-32S	WW1-50S
b	50	68
c	62	80
d	74	92
e	5	6
f	30	48
g	104	208
h	~140	~250

Section W



Air filter type	PD4.1	PD4.2	PD8.1	PD12.2
Dim. A [mm]	95	117	144	210

Filler/breather mounting by means of 4 (5) bolts M6 × 20-58
 PN - 74/M-82302 (DIN 912 - 58) , torque $M_d = 5$ Nm.
 Mounting bolts are not included with the unit.

PONAR WADOWICE S.A.
 ul. Wojska Polskiego 29
 34-100 Wadowice
 tel. 033/ 823 39 43, 823 30 41
 fax 033/ 873 48 80
 e-mail: ponar@ponar-wadowice.pl

PONAR[®]
 wadowice