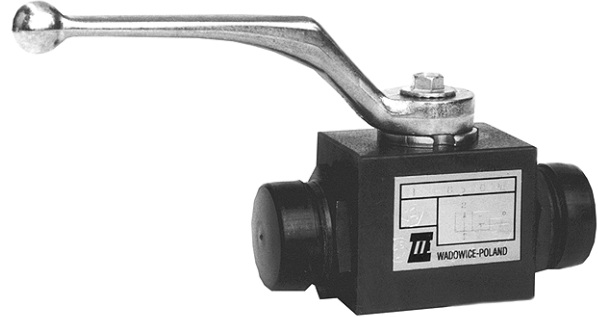


## DESCRIPTION OF OPERATION

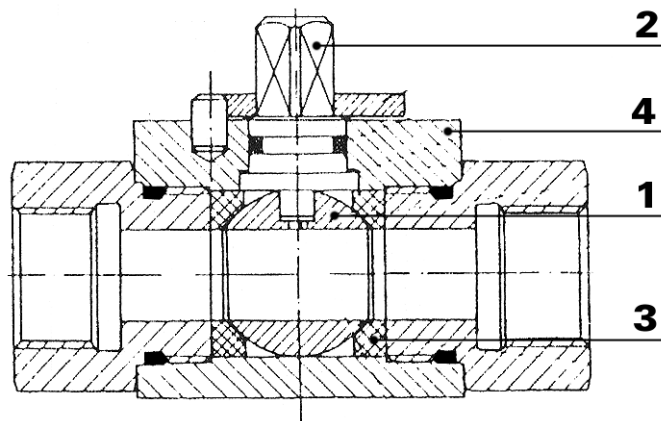
2-way ball valve type BK... is applied to open and close working fluid flow in hydraulic systems. It is adopted for mounting by screwed fittings with thread to PN - ISO 8434 - 1/1996 (DIN 2353). Switching position is set by means of lever coupled with the spindle 2 turning the ball 1. Polyamide seats 3 provide the seal of the ball. In case of need, the lever can be assembled 180° turned.



### Caution:

Leak tightness in the seat cut-off can be obtained when pressure in it is zero or pressure on the way of the connected seats exceeds.

The valve install in hydraulic system to take hold on hexagon of thread. It isn't to allow for turn up the valve by hold on the housing (pos. 4).

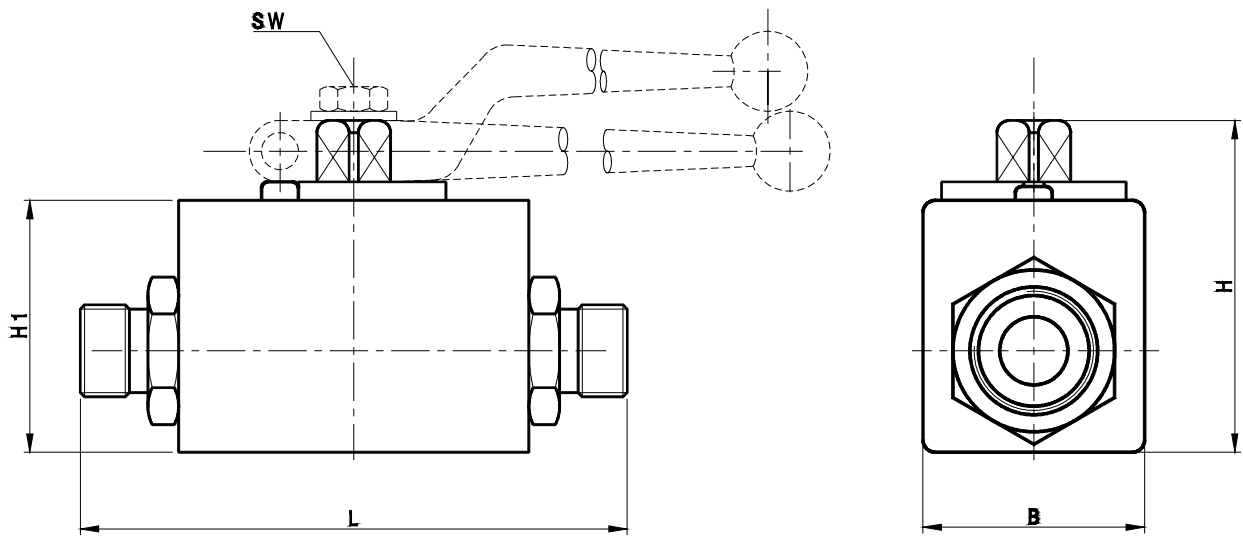


## TECHNICAL DATA

Nominal size	4, 6, 8, 10, 13, 16, 20, 25, 40
Nominal pressure	65 MPa
Working medium	Mineral oil
Fluid viscosity range	2,8 do 380 mm <sup>2</sup> / s
Operating temperature range	253 ÷ 373 K
Filtration (recommended)	< 30 μm
<b>Materials:</b>	
- body (4)	steel (blacked)
- ball (1)	steel (chromium plated)
- spindle (2)	steel (zinc coated)
- seat (3)	polyamid
- seal of spindle	perbunan

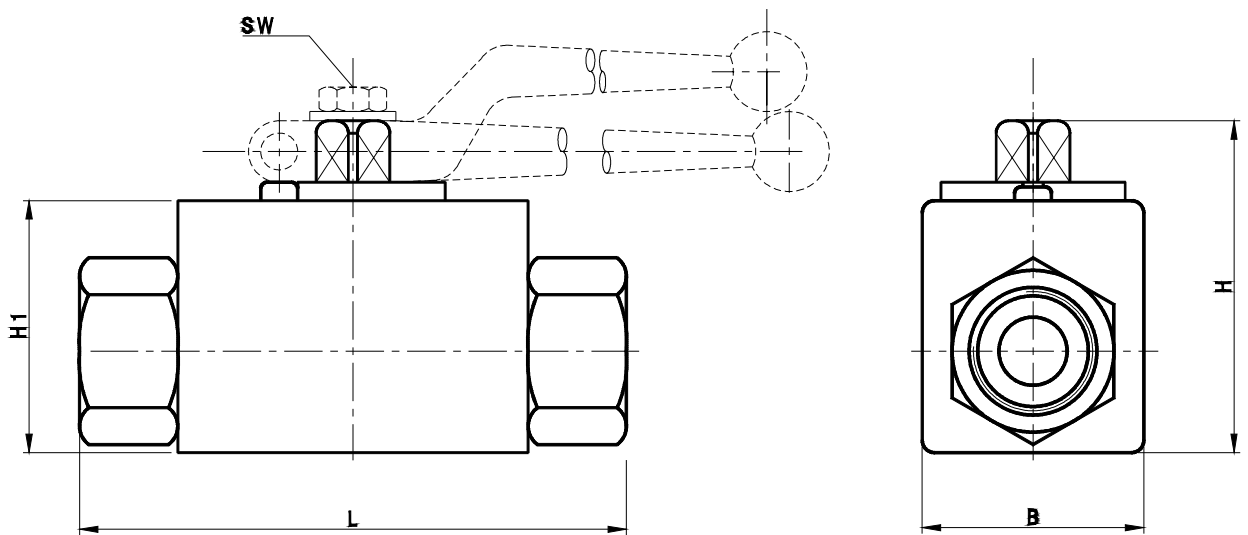
## OVERALL DIMENSIONS

2-way ball valve with male thread

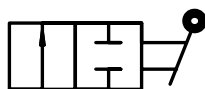


## OVERALL DIMENSIONS

2-way ball valve with female thread



## Graphical symbol



### 2-way ball valve with male thread, light type - BKHL

Designation	Nominal passage DN	Real passage DR	P nom. MPa	Exterior pipe diameter	Thread	L	B	H	H1	SW
BKHL 04	4	5	50	6	M12 x 1,5	67	26	43,3	32	9
BKHL 06	6	6	50	8	M14 x 1,5	67	26	43,3	32	9
BKHL 08	8	8	50	10	M16 x 1,5	71	26	43,3	32	9
BKHL 10	10	10	50	12	M18 x 1,5	75	32	49	38	9
BKHL 13	13	13	50	15	M22 x 1,5	84	35	51	40	9
BKHL 16	16	15	40	18	M26 x 1,5	83	38	62	46	12
BKHL 20	20	20	32	22	M30 x 2	102	49	73	57	14
BKHL 25	25	24	32	28	M36 x 2	108	60	76	60	14
BKHL 32	32	24	32	35	M45 x 2	114	60	76	60	14

### 2-way ball valve with male thread, heavy type - BKHS

Designation	Nominal passage DN	Real passage DR	P nom. MPa	Exterior pipe diameter	Thread	L	B	H	H1	SW
BKHS 04	4	5	65	8	M16 x 1,5	73	26	43	32	9
BKHS 06	6	6	65	10	M18 x 1,5	73	26	43	32	9
BKHS 08	8	8	65	12	M20 x 1,5	76	26	43	32	9
BKHS 10	10	10	50	14	M22 x 1,5	84	32	52	38	9
BKHS 13	13	13	50	16	M24 x 1,5	87	35	51	40	9
BKHS 16	16	15	40	20	M30 x 2	91	38	62	46	12
BKHS 20	20	20	32	25	M36 x 2	110	49	73	57	14
BKHS 25	25	24	32	30	M42 x 2	120	60	76	60	14
BKHS 32	32	24	32	38	M52 x 2	125	60	76	60	14

**2-way ball valve with female screw thread - BKR**

Designation	Nominal passage DN	Real passage DR	P nom. MPa	Thread	L	B	H	H1	SW
BKR 04	4	5	50	G 1/8	69	26	43,5	32	9
BKR 06	6	6	50	G 1/4	69	26	43,5	32	9
BKR 10	10	10	50	G 3/8	73	32	49	38	9
BKR 13	13	13	50	G 1/2	85	35	51	40	9
BKR 20	20	20	40	G 3/4	96	49	73	57	14
BKR 25	25	24	35	G1"	113	60	76	60	14
BKR 32	32	24	35	G1" 1/4	121	60	76	60	14
BKR 40	40	24	35	G1" 1/2	124	60	76	60	17

PONAR WADOWICE S.A.  
ul. Wojska Polskiego 29  
34-100 Wadowice  
tel. 033/ 823 39 43, 823 30 41  
fax 033/ 873 48 80  
e-mail: ponar@ponar-wadowice.pl

