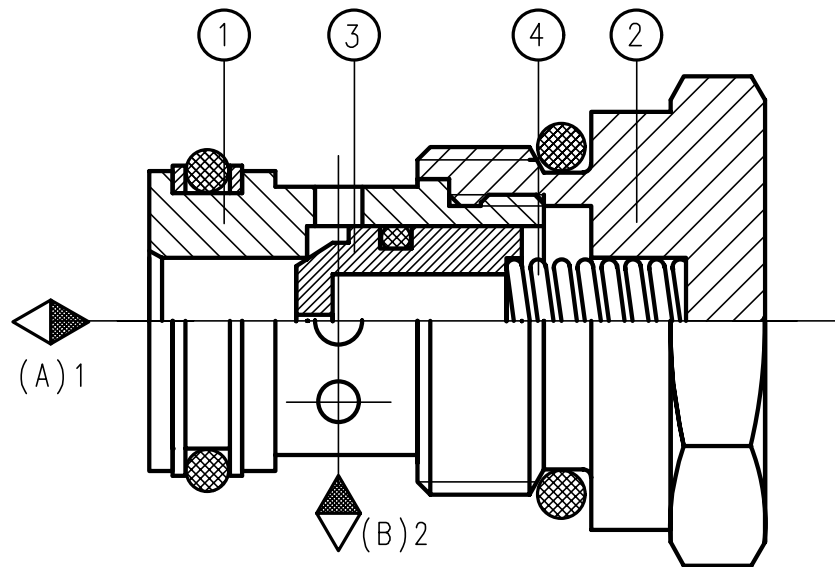


**APPLICATION**

These cartridge check valves allow flow at low pressure drop with cracking pressure from 1 to 5 bar in the free flow direction and close to prevent flow in the reverse direction.



**DESCRIPTION OF OPERATION**

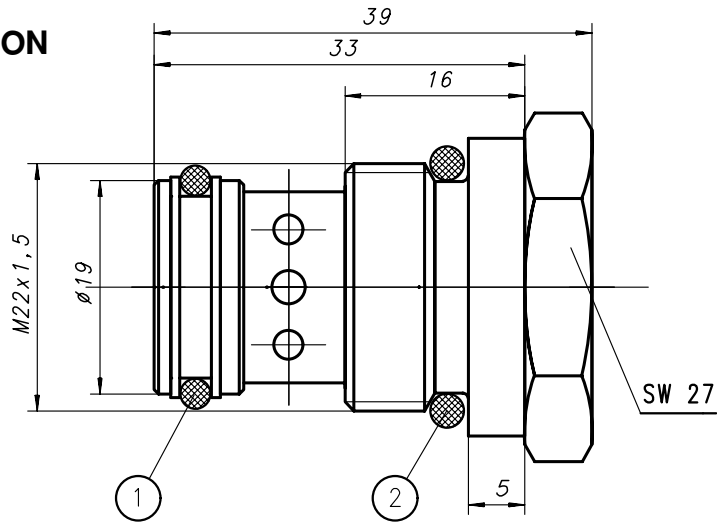
In the check valve type UZZD 6 the closing element is a poppet (3) pushed on the seat in the sleeve (1) by spring (4). Flowing through the valve in the direction A to B fluid lifts the poppet from its seat and permits free flow.

Cracking pressure depends on initial spring tension (4). In the opposite direction B to A the spring (4) and the fluid push the poppet (3) onto the seat and close the connection without leakage. For version B direction of free flow is opposite (from B to A).

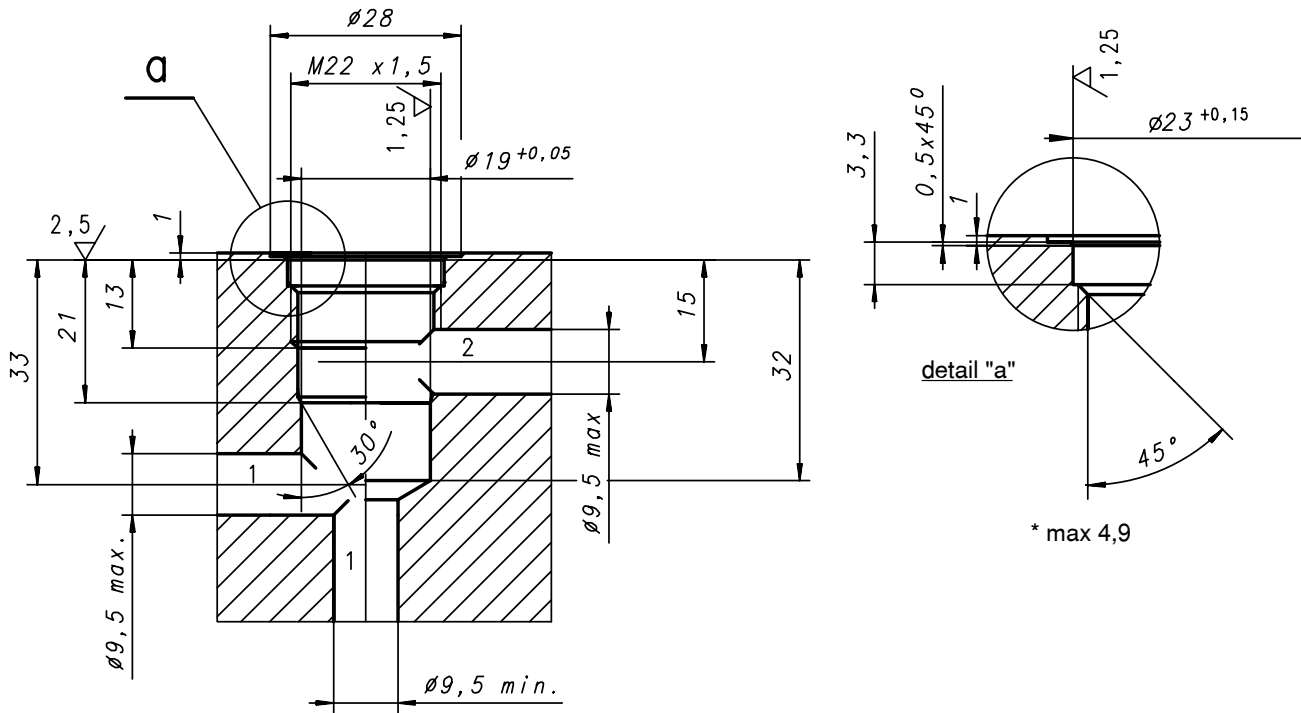
**TECHNICAL DATE**

Working fluid	Mineral oil
Nominal fluid viscosity	37 mm <sup>2</sup> /s at temperature 328 K (55 °C)
Viscosity range	2,8 up to 380 mm <sup>2</sup> /s
Optimum working temperature range	313 up to 328 K (40 up to 55 °C)
Fluid temperature range	243 up to 343 K (-30 up to 70 °C)
Required fluid filtration	16 μm
Recommended fluid filtration	10 μm
Max working pressure	29 MPa
Cracking pressure	up to 0,15 MPa
Weight	~ 0,1 kg

# OVERALL AND CONNECTION DIMENSIONS



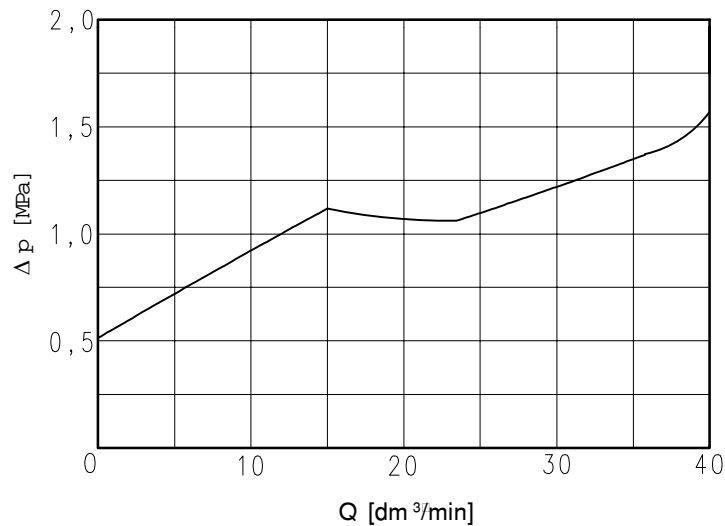
pos.1 "O-ring" 15,6 x 1,78 - pcs 1  
 pos.2 "O-ring" 18 x 2,65 - pcs 1



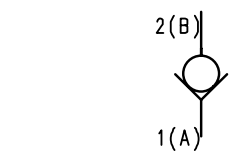
Dimensions of cavity.  
 Tightening torque of cartridge valve - 80Nm  
 Mounting position-unrestricted

Performance curves at  $n=41\text{mm}^2/\text{s}$  and temperature 323 K

Flow curve



## SYMBOL



UZZD 6 A ...



UZZD 6 B ...

## HOW TO ORDER

Orders coded in the way showed below should be forwarded to the manufacturer

**UZZD 6**

**/ - M 1**

**\***

### Direction of flow

Flow from 1 to 2

= A

Flow from 2 to 1

= B

### Numer serii konstrukcyjnej

20 = 20

( 20 -29 ) = installation and connection dimension unchanged

### Cracking pressure

0,1 MPa (only for valve A)

= 10

0,15 MPa (only for valve A)

= 15

0,3 MPa

= 30

0,5 MPa

= 50

### Kind of cavity

Cavity M22x1,5

= M1

### Sealing

for fluids on mineral oil base

= no designation

for fluid on phosphate ester base

= V

**Further requirements to be added in text (to agree with the manufacturer)**

CODING EXAMPLE:

**UZZD 6 A 20/10 M1**

PONAR WADOWICE S.A.  
ul. Wojska Polskiego 29  
34-100 Wadowice  
tel. 033/ 823 39 43, 823 30 41  
fax 033/ 873 48 80  
e-mail: ponar@ponar-wadowice.pl

