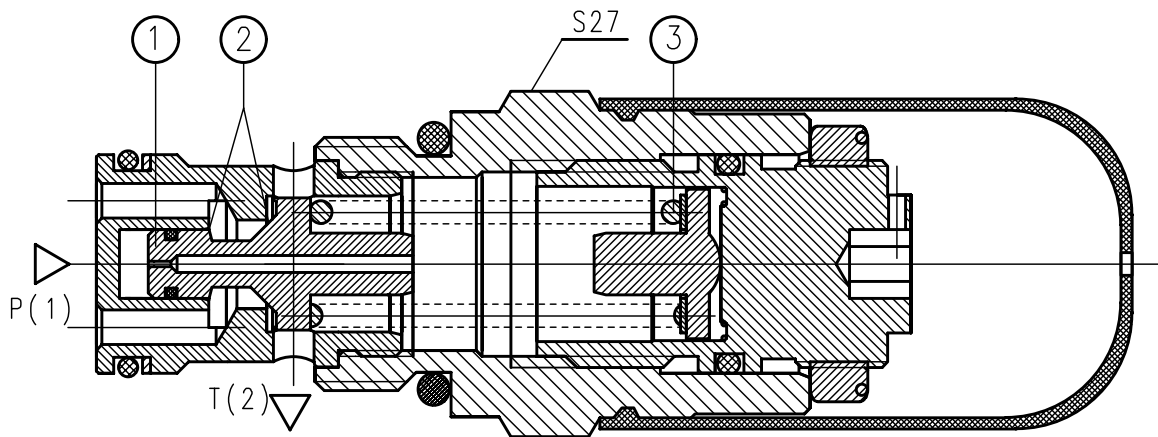
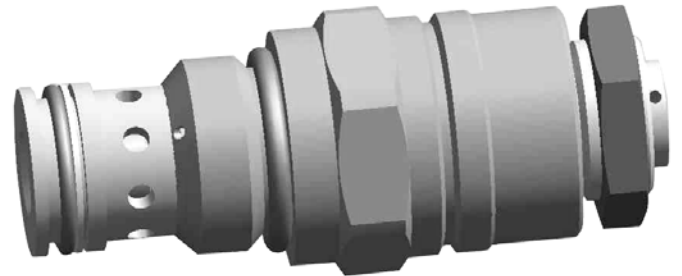


APPLICATION

Pressure relief valves type UZPD 6 serves to limit pressure in hydraulic systems.



DESCRIPTION OF OPERATION

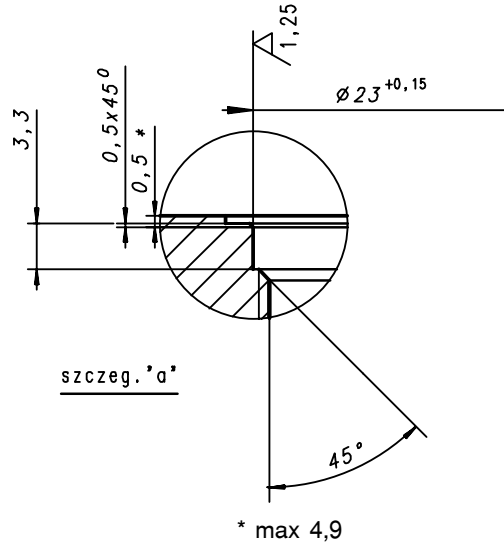
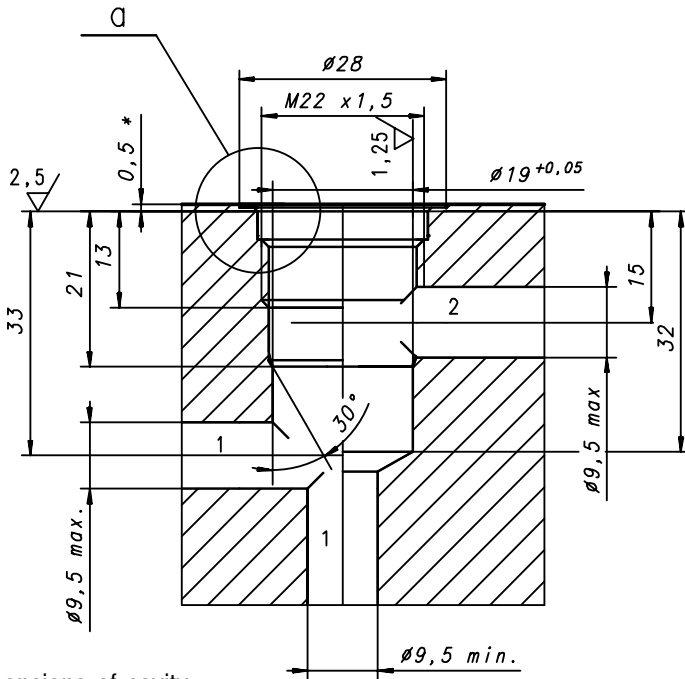
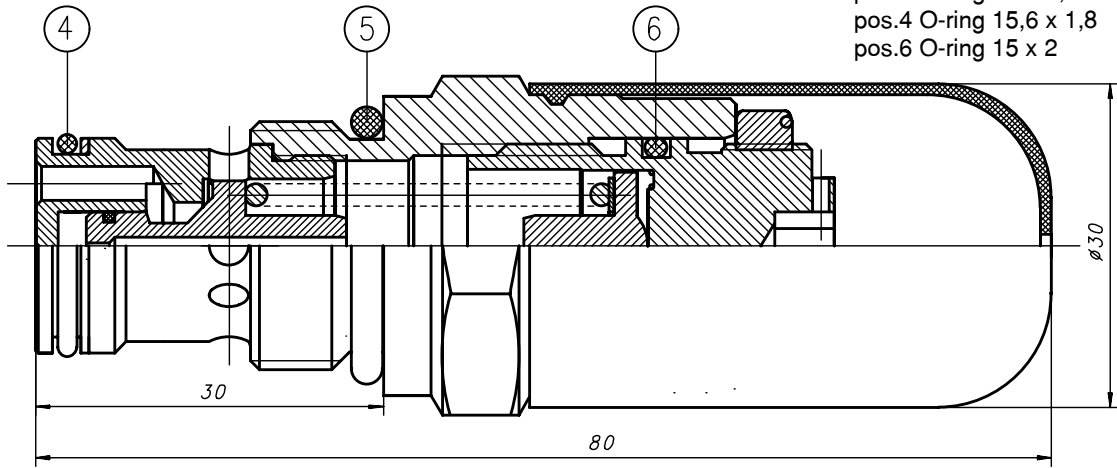
The valve UZPD 6 is direct operated pressure relief valve. Controllable pressure affects surface difference 2 of the valve spool 1.

The spring 3 holds the spool in its initial position (closed). Ports P and T reaches the set value of the spring, the valve opens allowing free oil flow.

TECHNICAL DATA

Working fluid	Mineral oil
Nominal fluid viscosity	37 mm ² /s at temperature 328 K
Viscosity range	2,8 up to 380 mm ² /s
Optimum working temperature range	313 up to 328 K
Fluid temperature range	243 up to 343 K
Pressure setting	5 MPa; 10 MPa; 20 MPa; 30 MPa
Max working pressure	30 MPa
Max allowable fluid flow	100 dm ³ /min.
Required fluid filtration	16 μm
Recommended fluid filtration	10 μm
Weight	~ 0,2 kg

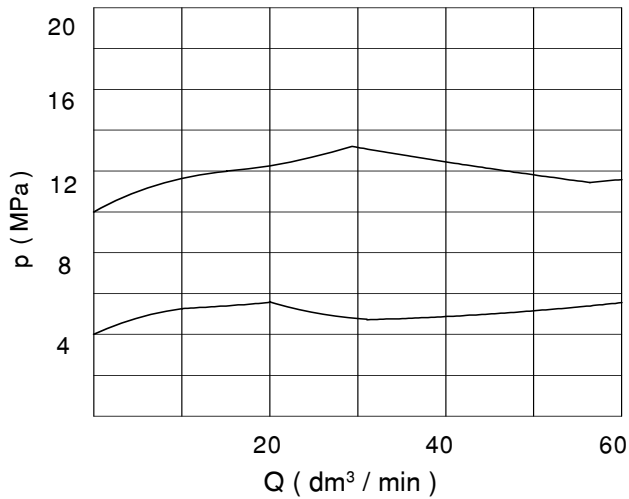
OVERALL AND CONNECTION DIMENSIONS



Dimensions of cavity
Tightening torque of valve cartridge - 80Nm
Mounting position-unrestricted

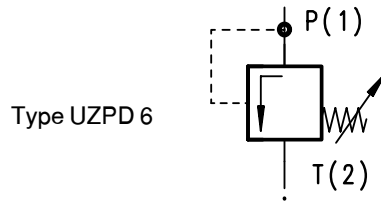
PERFORMANCE CURVES at $v = 41 \text{ mm}^2/\text{s}$ and temp. 323 K

Flow curve



Working pressure in relation to flow

GRAPHICAL SYMBOL



HOW TO ORDER

Orders coded in the way showed below should be forwarded to the manufacturer

UZPD 6 / 02 - - 2 - *

Series number

02 = 02
(02 - 09) = installation and connection dimension unchanged

Pressure setting

do 5 MPa = 50
do 10 MPa = 100
do 20 MPa = 200

Setting element

Set screw with internal hexagon = 2

Sealing

for fluids on mineral oil base = no designation
for fluid on phosphate ester base = V

Further requirements to be added in text (to agree with the manufacturer)

CODING EXAMPLE:
UZPD 6 / 01 - 100 - 2

PONAR WADOWICE S.A.
ul. Wojska Polskiego 29
34-100 Wadowice
tel. 033/ 823 39 43, 823 30 41
fax 033/ 873 48 80
e-mail: ponar@ponar-wadowice.pl

