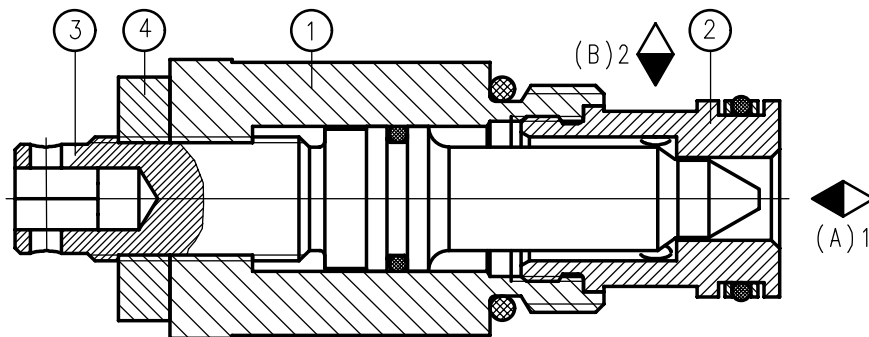


APPLICATION

Throttle valves type UDDD6 are used to control fluid flow that depends on pressure difference at the throttling point and fluid viscosity. They can be applied in hydraulic systems with constant operating resistance or where speed changes are of no importance.

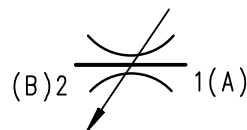


DESCRIPTION OF OPERATION

Fluid flow from port A to B (or reversaly) is throttled in the opening between the adjustment poppet 3 and the seat edge in the housing 2.

Throttling depends on the adjustment of the opening.

SYMBOL



TECHNICAL DATE

Working fluid	Mineral oil
Nominal fluid viscosity	37 mm ² /s at temperature 328 K
Viscosity range	2,8 up to 380 mm ² /s
Optimum working temperature range	313 up to 328 K
Fluid temperature range	243 up to 343 K
Maximum set pressure	29 MPa
Required fluid filtration	16 μm
Recommended fluid filtration	10 μm

HOW TO ORDER

Orders coded in the way showed below should be forwarded to the manufacturer

UDD 6

/

-

*

Series number

10 = 10

(10 - 19) - installation and connection dimension unchanged

Kind of cavity

Cavity M22x1,5

= M1

Sealing

for fluids on mineral oil base

= no designation

for fluid on phosphate ester base

= V

Further requirements to be added in text (to agree with the manufacturer)

CODING EXAMPLE :
UDD 6 10/M1 V

PONAR WADOWICE S.A.
ul. Wojska Polskiego 29
34-100 Wadowice
tel. 033/ 823 39 43, 823 30 41
fax 033/ 873 48 80
e-mail: ponar@ponar-wadowice.pl

