

APPLICATION

Constant flow direction valve type UZFC06/...NL is used to set fluid flow direction at the outlet from A to B independent of supply direction of the inlet A1; B1. The valves are mounted under flow control valve type UDRD6... according to catalogue card WK 420 020 or equivalent valve with CETOP 03 connection. The valves are adapted to operating at low temperatures up to -40°C.

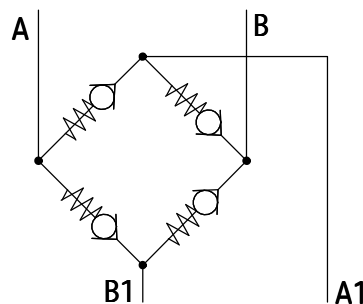


TECHNICAL DATA

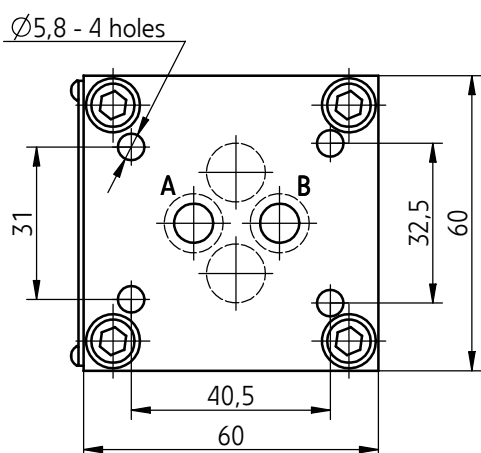
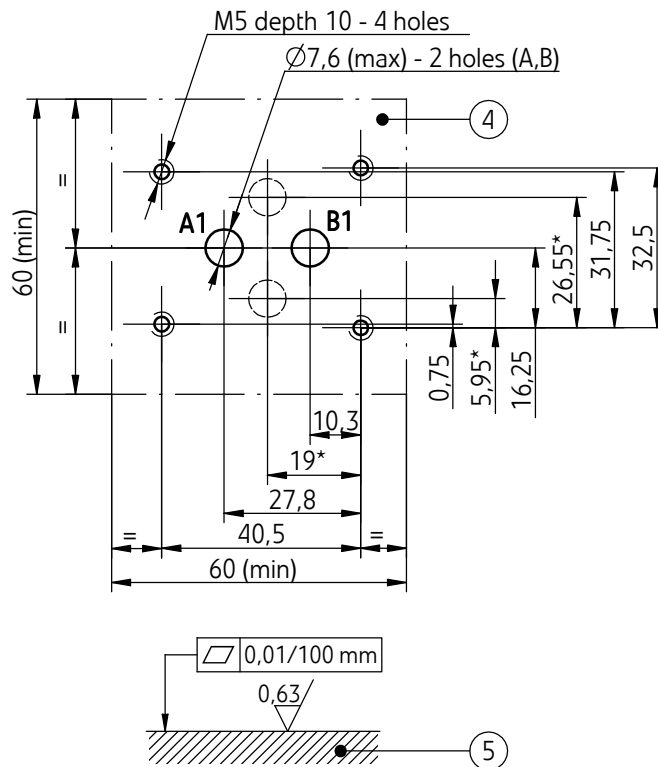
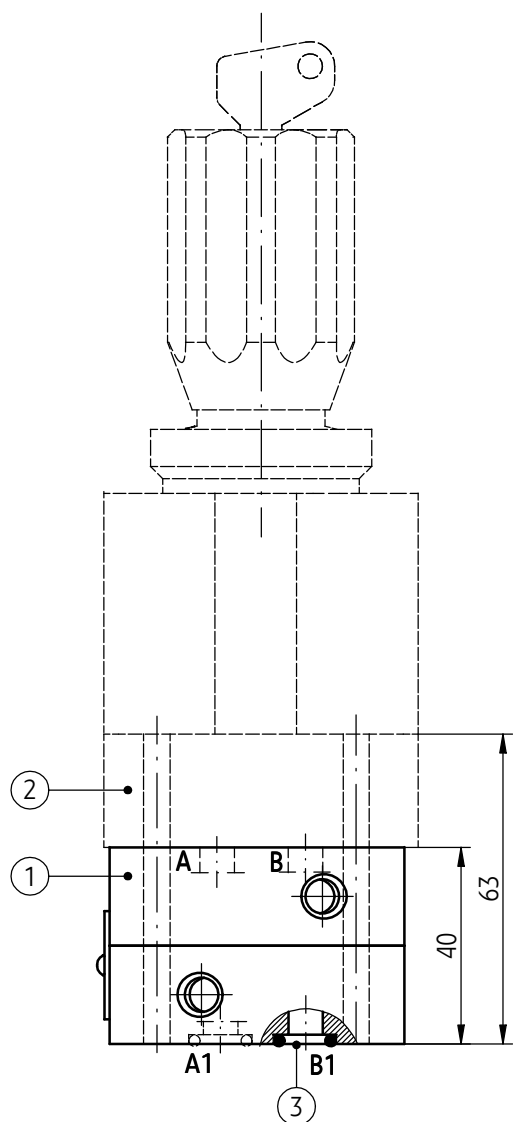
Hydraulic fluid	fluids on mineral oil base
Required filtration	up to 16 µm
Recommended filtration	up to 10 µm
Nominal fluid viscosity	37 mm ² /s at temperature 55 °C
Viscosity range	2,8 up to 380 mm ² /s
Fluid temperature range	-40°C up to +80°C
Ambient temperature range	-40°C up to +80°C
Maximum operating pressure	31,5 MPa
Check valves cracking pressure	0,07 MPa
Weight	1,4 kg

SCHEMES

Graphical symbol of the valve type UZFC06/...NL



OVERALL AND CONNECTION DIMENSIONS



- 1 - Valve type **UZFC06/...NL**
- 2 - Flow control valve type **UDRD6** according to catalogue card **WK 420 020**
- 3 - Seal ring **9,2 x 1,8** - material **N7T40** (057 455)
4 pcs/kit
- 4 - Plate surface holes configuration in accordance with standards:
 - **ISO 4401** signature **ISO 4401-03-02-0-94**
 - **CETOP RP 121H** signature **CETOP 4.2-4-03 (CETOP03)**
 mounting bolts for subplate mounting of the valve **UZFC06** and flow control valve type **UDRD6**:
M5 x 70 -10.9 - 4 pcs/kit in accordance with **PN - EN ISO 4762**; tightening torque **Md = 9 Nm**
NOTE:
 (*) - dimensions related to deepening centers (with seal rings pos. 1 - 2 pcs) made-up in the valve body to keep accordance with above-mentioned connections by **CETOP RP 121H, ISO 4401**
- 5 - Admissible surface roughness and flatness deviation for a subplate face

HOW TO ORDER

		UZFC	06 /	NL	★
Nominal size (NS) NS6	= 06				
Series number (00 - 09) - connection and installation dimensions unchanged series 02	= 0X = 02				
Type operating at low temperatures type	= NL				
Further requirements in dear text (to be agreed with the manufacturer)					

NOTES:

The valve should be ordered according to above coding.
Coding example: UZFC06/02NL

SUBPLATES AND MOUNTING BOLTS

Subplates must be ordered according to catalogue card **WK 496 480**. Subplate symbols:
G 341/01 - threaded connections G 1/4
G 342/01 - threaded connections **G 3/8**
G 502/01 - threaded connections G 1/2
G 341/02 - threaded connections M14 x 1,5
G 342/02 - threaded connections M16 x 1,5

Subplates and mounting bolts - in case of valve type **UZFC6-NL** and flow control valve type **UDRD6** subplate mounting:
M5 x 70 - 10.9 - 4 pcs/kit in accordance with **PN - EN ISO 4762** must be ordered separately.
Bolts tightening torque **Md = 9 Nm**
NOTE:
The symbols in bold are preferred versions in short delivery time.

PONAR Wadowice S.A.
ul. Wojska Polskiego 29
34-100 Wadowice
tel. +48 33 488 21 00
fax. +48 33 488 21 03
www.ponar-wadowice.pl

