

Product Tech News

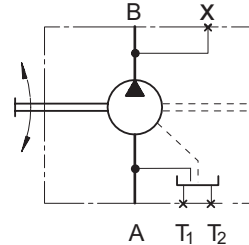
Hydraulic pumps type PAP46

Heavy duty axial piston fixed displacement pump



Symbol

B service line port
 A suction port
 T₁, T₂ drain port (plugged)
 X measures port



OPTIONS

- » Swash plate
- » Flange mount
- » Side ports
- » Shafts- splined

EXCELLENCE

- » Smooth low - speed operation
- » compact design
- » long service life
- » high power density

SPECIFICATION DATA

Type		PAP 35	PAP 40	PAP 46
Displacement, cm. ³ /rev. [in. ³ /rev.]		36.16 [2.21]	41.59 [2.54]	47.13 [2.88]
Max. Speed, [RPM]	Cont.	2800	2800	2800
	Int*	3150	3150	3150
Max. Driving Torque, Nm [lb-in]	Cont.	202 [1789]	232 [2053]	263 [2328]
	Int**	242 [2142]	278 [2460]	315 [2788]
Output, kW [HP]	Cont.	41 [55]	47 [63]	54 [72.5]
	Int**	58 [78]	67 [90]	77 [198]
Max. Pressure bar [PSI]	Cont.	350 [5080]	350 [5080]	350 [5080]
	Int**	420 [6100]	420 [6100]	420 [6100]
Max. Oil Flow, lpm [GPM]	Cont.	100 [26.4]	116 [30]	132 [34.9]
	Int*	114 [30]	131 [35]	148 [39]
Permissible shaft load daN [lb]		axial Fa=200 [450], radial on request		
Min. speed [RPM]		500		
Max. Pressure in Drain Line, bar [PSI]		5 [70]		
Weight kg [lb]		20,5 [45]		

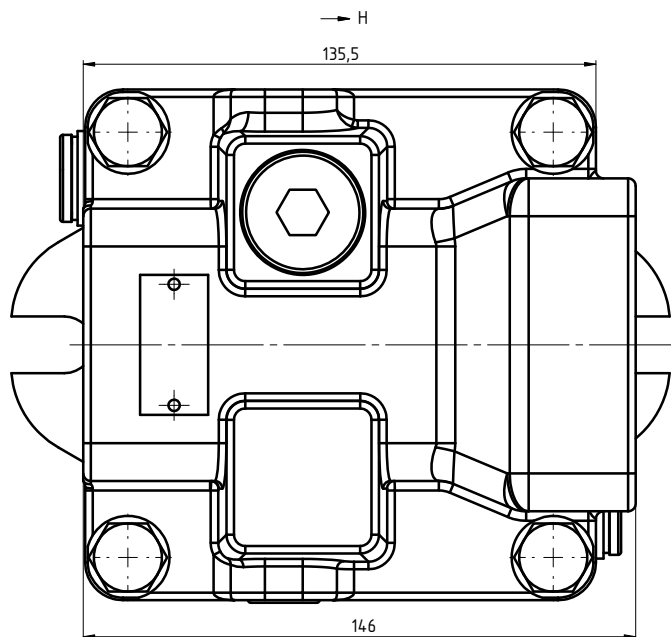
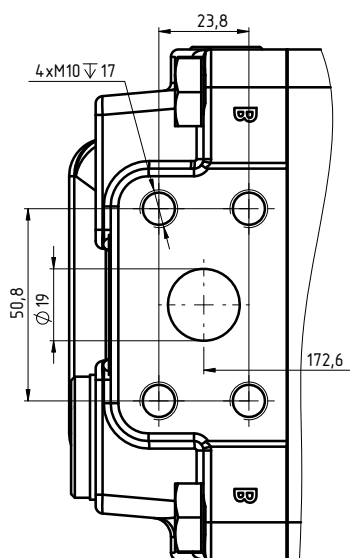
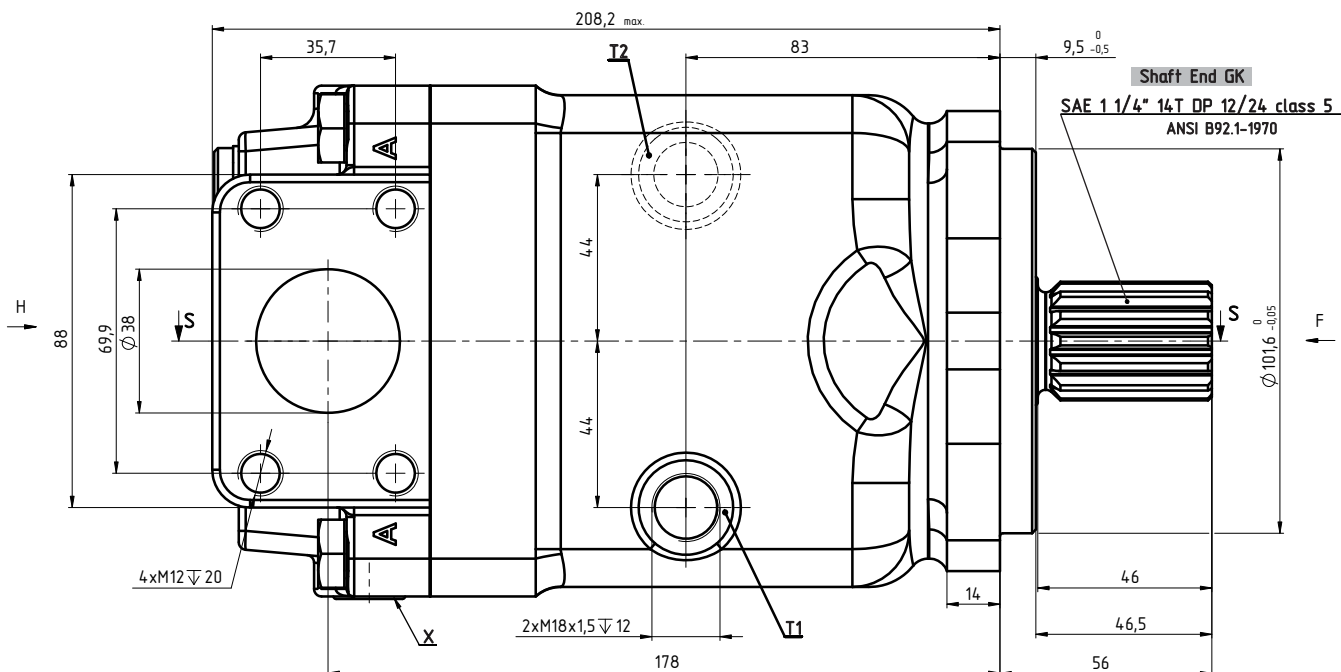
* Intermittent speed (flow) is for pressure up to 150[2200] bar[PSI].

** Intermittent load: the permissible values may occur for max. 10% of every minute.

1. For continuous operations continuous the recommended output power should not be exceeded.
2. Recommended filtration is per ISO 4406 cleanliness code 18/16/13 or better. This filtration corresponds to SAE AS 4059 8A/7B/7C. A nominal filtration 10 micron or better.
3. Recommend using of a premium quality, anti-wear type mineral based hydraulic oil, HLP(DIN51524) or HM(ISO6743/4).
4. Recommended oil viscosity 15...30 cSt or less.
5. Recommended maximum system operating temperature is 180°F [82°C].
6. To assure optimum pump life fill with fluid prior to loading and run at moderate load and speed for 10-15 minutes.

DIMENSIONS - PAP

SAE B 2-Bolt flange,
spigot diameter 101,6 mm - BC 146 mm



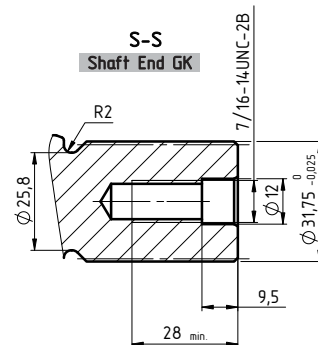
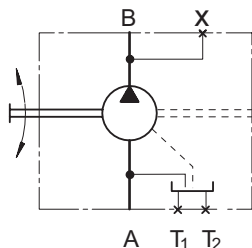
Connections

Port B Service line port - SAE 3/4"
(6000 psi) high pressure series

Port A Suction port - SAE 1 1/2"
(500 psi) standart series

T1,T2 Drain or oil filling port
M18x1,5 15 deep

X Measure port
M14x1,5 12 deep



ORDER CODE

	1	2	3	4	5	6	7
P A P							

Pos.1 - Mounting Flange

B - SAE B - 2-Bolt flange
spigot diameter 101,6 mm - BC 146 mm

Pos.2 - Displacement code

35 - 35 cm.³/rev. [2.16 in.³/rev.]
40 - 40 cm.³/rev. [2.44 in.³/rev.]
46 - 46 cm.³/rev. [2.80 in.³/rev.]

Pos.3 - Shaft Extensions

GK - \varnothing 1 1/4" [31,75mm]
14T Splined ANSI B92.1-1970, 12/24

Pos.4 - Direction of rotation

R - Right
L - Left

Pos.5 - Special Features

omit - none

Pos.6 - Option [Paint]*

omit - no Paint

P - Painted
PC - Corrosion Protected Paint

Pos.7 - Design Series

omit - Factory specified

Notes: * Color at customer's request.

*Under development

**Color at customer's request

The hydraulic pumps are mangano phosphatized as standard.



SCAN ME

The information placed at your disposal
in this brochure can be changed without
any notification.
Please be sure that your copy is the newest one.

M+S HYDRAULIC

68, Kozloduy St., 6100 Kazanlak, Bulgaria

Tel.: ++359 431 65167

Fax: +359 431 64114

E-Mail: msh@ms-hydraulic.com

version 1.2