

### APPLICATION

Additional bottles type BA are used as supplementary in order to increase nitrogen capacity in the hydraulic accumulators AS which supply hydraulic circuits. The bottles with threaded connection G are integrated with gas area of the AS accumulator (bladder). Pre-loading and checking set PC250/60 is used for loading the nitrogen pressure into the accumulator with the additional bottles.

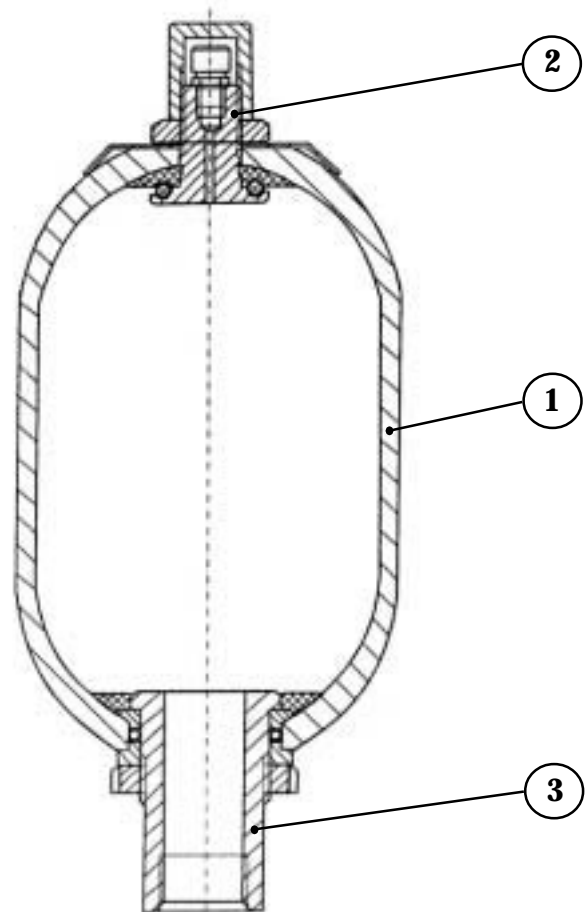


### DESCRIPTION OF OPERATION

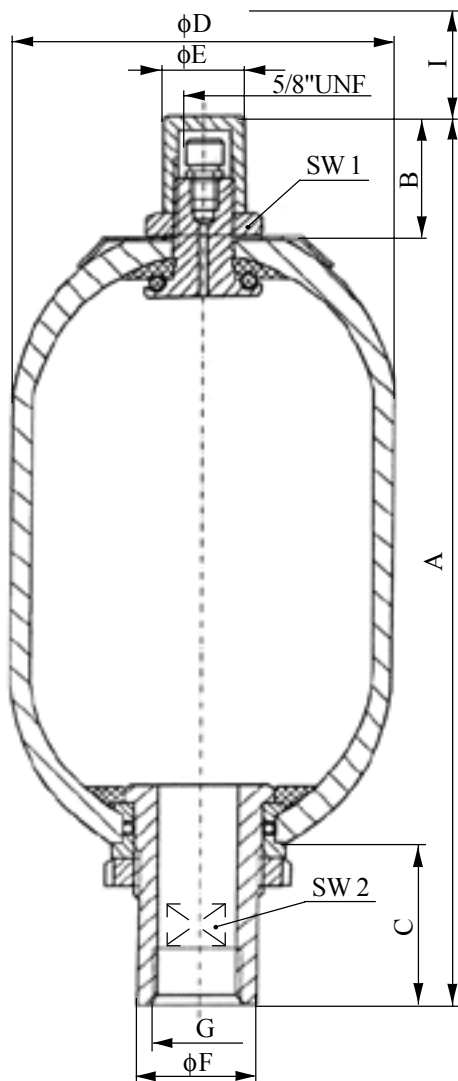
The bottle type BA consists of three main component parts : steel pressure reservoir 1, gas valve 2 for introducing the nitrogen into the bottle, connection port 3.

### TECHNICAL DATA

Rated capacity	10 do 35 dm <sup>3</sup>
Operating medium	nitrogen
Max operating pressure	33 MPa
Operating temperature	-40 to 80 ° C
Housing constr. material	34 Cr Mo 4-I
Qualifying acceptance	UDT

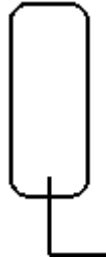


# WYMIARY GABARYTOWE



TYP	MASA [kg]	G	A	B	C	$\phi D$	$\phi E$	$\phi F$	SW 1	SW 2	I
BA 10	38	2"	556	60	101	220	55	77	70	70	140
BA 15	45		711								
BA 20	53		866								
BA 25	63		1026								
BA 35	83		1376								

## SYMBOL



## HOW TO ORDER

Orders coded in the way showed below should be forwarded to the manufacturer.

<b>BA</b>	<b>- 330</b>	<b>C</b>	<b>G</b>	<b>8</b>
-----------	--------------	----------	----------	----------

**Additional Bottle**

**Rated capacity:**

10 dm <sup>3</sup>	=10
15 dm <sup>3</sup>	=15
20 dm <sup>3</sup>	=20
25 dm <sup>3</sup>	=25
35 dm <sup>3</sup>	=35

**Permissible operating pressure:**

330 [bar] =330

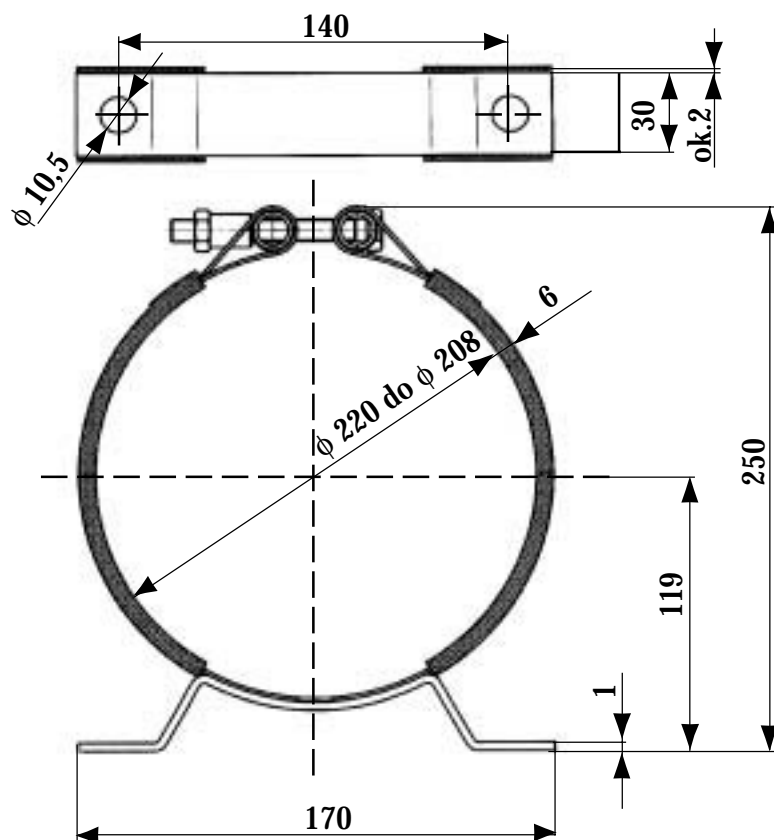
**Qualifying acceptance \* )**  
UDT = 8

**Connection**  
pipe screw thread =G

**Tank material:**  
alloy structural steel

\*)Other acceptance inspections are possible, for instance: ISPEL (1), TÜV (2), BS- LLOYD'S (5)

## Overall dimensions of clamping ring



Clamping ring material - stainless steel  
Protective covering material - oilproof rubber  
Weight ~ 0,51 kg

### HOW TO ORDER

Orders coded in the way showed below should be forwarded to the manufacturer.

**GBS-K-GU-220/30-W2**

PONAR WADOWICE S.A.  
ul. Wojska Polskiego 29  
34-100 Wadowice  
tel. 033/ 823 39 43, 823 30 41  
fax 033/ 873 48 80  
e-mail: ponar@ponar-wadowice.pl

